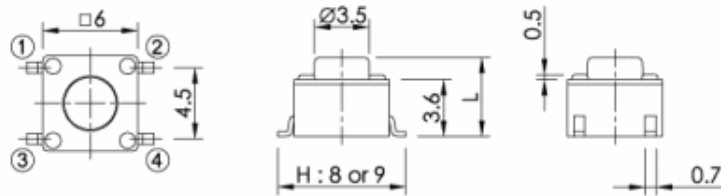
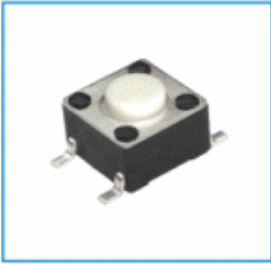


# SMD, DIP Type Tact Switches

IT-1102W~1102WA



Rating : 50mA 12V DC.  
 Travel : 0.25±0.15 mm.  
 Contact resistance : 100mΩ Max.  
 Operating force : 100, 130, 160,  
 250±50g.  
 Life : 100,000 Cycles Min.

CIRCUIT DIAGRAM



IT-1102WXXX

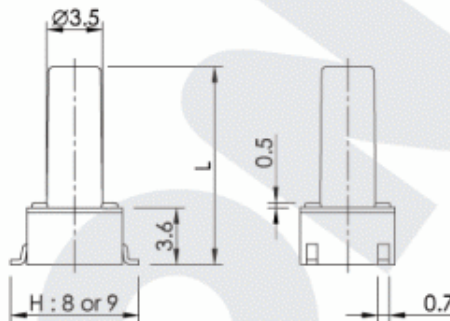
STEM(L)	Packing
□ 4.3	1,000pcs/reel
A 5.0	1,000pcs/reel
R 6.0	700pcs/reel
B 7.0	700pcs/reel
E 7.3 x ∅3.4	700pcs/reel
EL 7.5	700pcs/reel
C 8.0	600pcs/reel
Z 8.5	600pcs/reel
DS 9.0	500pcs/reel
D 9.5	500pcs/reel
DL 10.0	500pcs/reel
Q 11.0	400pcs/reel
F 12.5	250pcs/reel
K 13.0	250pcs/reel
G 13.5	300pcs/reel
J 16.0	
I 17.0	

TER' LENGTH(H)	
8	8.0
9	9.0

IT-1102WB~1102WQ



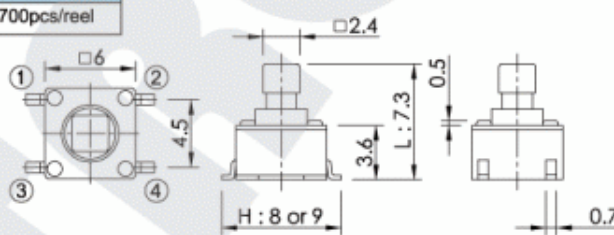
IT-1102WF~1102WI



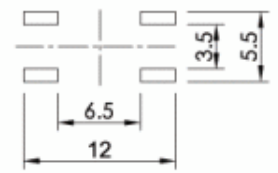
IT-1102WT



STEM(L)	Packing
T 7.3 x □2.4	700pcs/reel



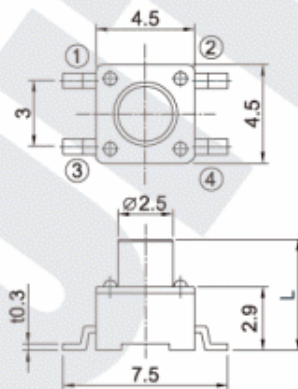
P.C.B. LAYOUT



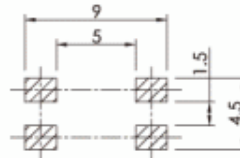
□4.5



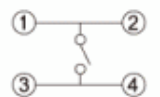
IT-1109S



P.C.B. LAYOUT



CIRCUIT DIAGRAM



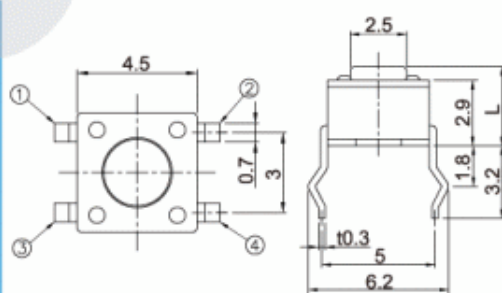
MODEL NO.	STEM(L)
IT-1109S	3.8
IT-1109SA	7.0

Rating : 50mA 12V DC.  
 Travel : 0.25±0.1mm.  
 Contact resistance : 100mΩ Max.  
 Operating force : 160, 250±50g.  
 Life : 50,000 Cycles Min.  
 Packing : 2,000pcs/reel.

□4.5



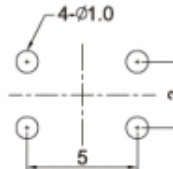
IT-1109



CIRCUIT DIAGRAM



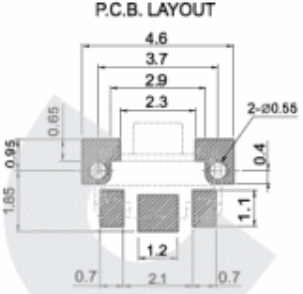
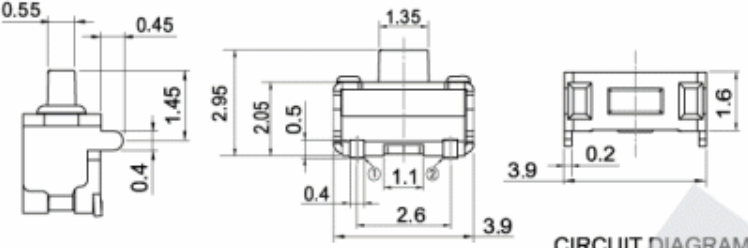
P.C.B. LAYOUT



MODEL NO.	STEM(L)
IT-1109	3.8
IT-1109A	7.0

Rating : 50mA 12V DC.  
 Travel : 0.25±0.1mm.  
 Contact resistance : 100mΩ Max.  
 Operating force : 160±30g,  
 250±50g.  
 Life : 160g : 50,000 Cycles Min.  
 250g,500g: 30,000 Cycles Min.

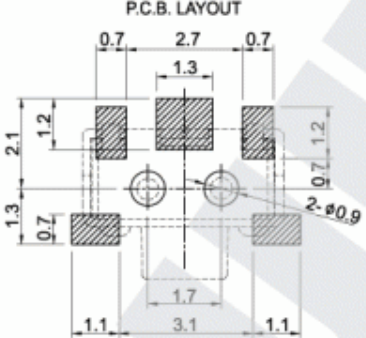
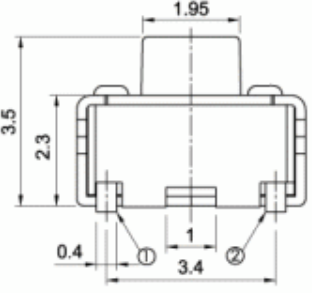
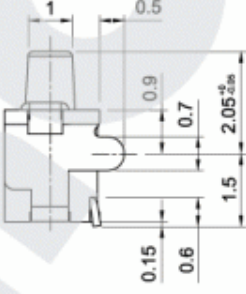
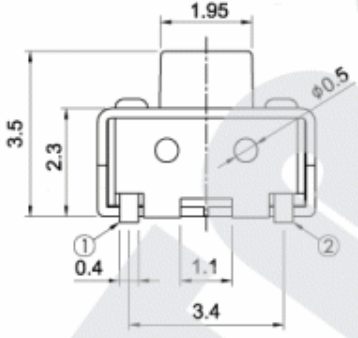
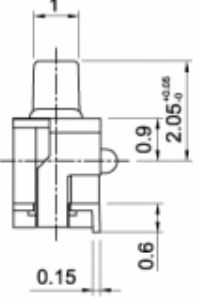
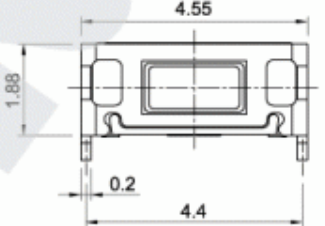
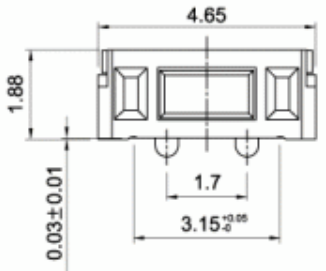
# High-Density SMD Type Tact Switches



CIRCUIT DIAGRAM



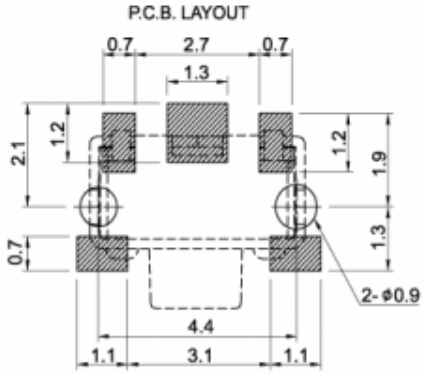
Rating: 50mA 12V DC.  
Travel: 0.15±0.1mm.  
Contact resistance: 100mΩ Max.  
Operating force: 160±50g.  
Life: 100,000 Cycles.  
Packing : 3,000pcs/reel.



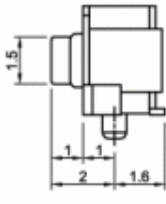
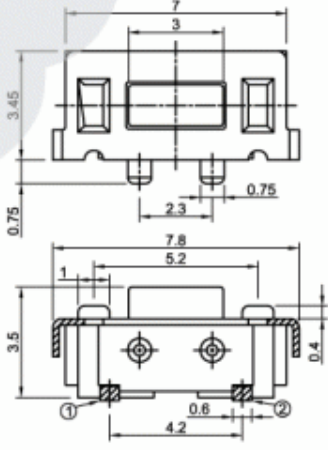
CIRCUIT DIAGRAM



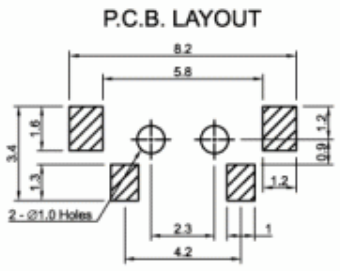
Rating: 50mA 12V DC.  
Travel: 0.15±0.1mm.  
Contact resistance: 100mΩ Max.  
Operating force: 160±50g.  
Life: 100,000 Cycles.  
Packing : 3,000pcs/reel.



IT-1188E : W/ Embossing  
IT-1188 : W/O Embossing

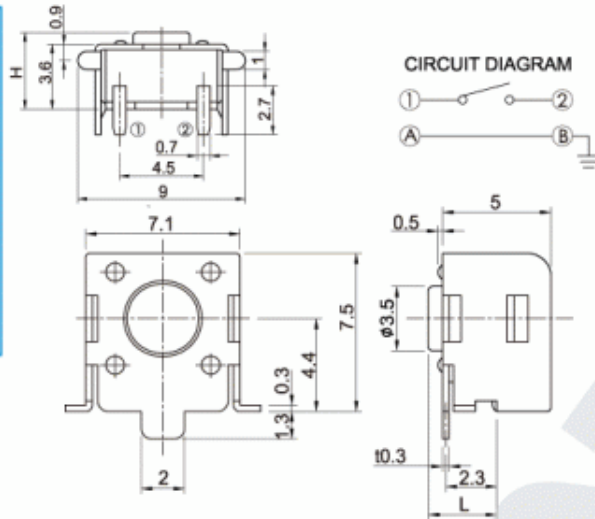


CIRCUIT DIAGRAM



Rating: 50mA 12V DC.  
Travel: 0.25±0.1mm.  
Contact resistance: 100mΩ Max.  
Operating force: 160, 180, 250±50g.  
Life: 160g : 180g : 50,000 Cycles.  
250g : 30,000 Cycles.  
Packing for reel: 2,000 pcs / reel.

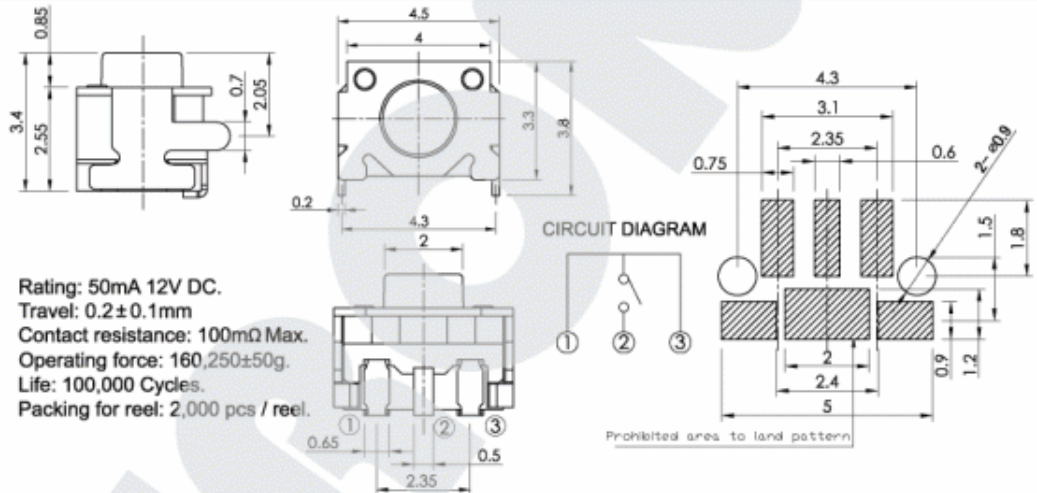
# Sealed, SMD Type Tact Switches



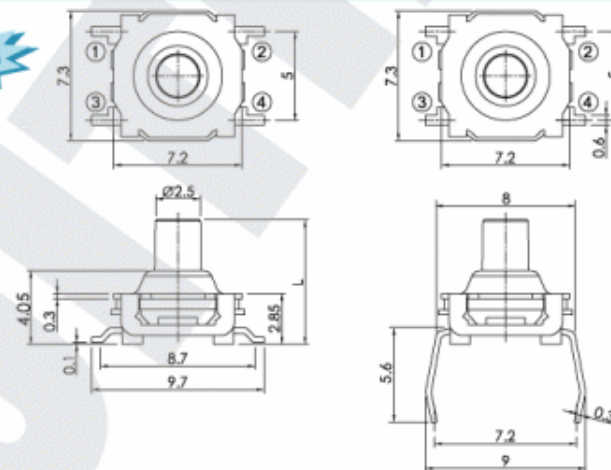
Rating: 50mA 12V DC.  
Travel: 0.25±0.1mm.  
Contact resistance: 100mΩ Max.  
Operating force: 130, 160, 250±50g.  
Life: 100,000 Cycles.

MODEL NO.	L(mm)	H(mm)	Packing
IT4-1102US	3.15	4.3	600pcs/reel
IT4-1102USA	3.85	5.0	600pcs/reel
IT4-1102USQ	4.85	6.0	500pcs/reel
IT4-1102USB	5.85	7.0	500pcs/reel
IT4-1102USE	6.15	7.3	500pcs/reel

MODEL NO.	L(mm)	H(mm)	Packing
IT4-1102USC	6.85	8.0	500pcs/reel
IT4-1102USD	8.35	9.5	500pcs/reel
IT4-1102USH	8.55	9.7	500pcs/reel
IT4-1102USF	11.35	12.5	500pcs/reel



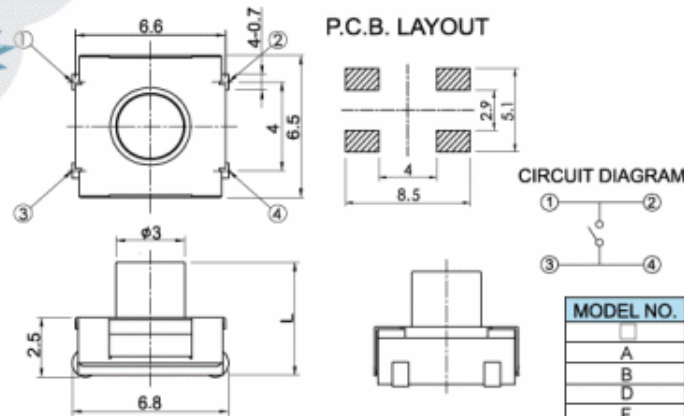
Rating: 50mA 12V DC.  
Travel: 0.2±0.1mm  
Contact resistance: 100mΩ Max.  
Operating force: 160, 250±50g.  
Life: 100,000 Cycles.  
Packing for reel: 2,000 pcs / reel.



MODEL NO.	STEM(L)	SMD Packing
IT-7701H ,S	5.0	1,000pcs/reel
IT-7701HA ,SA	7.0	1,000pcs/reel
IT-7701HB ,SB	8.5	1,000pcs/reel

Rating : 50mA 12V DC.  
Travel : 0.35 ± 1mm.  
Contact resistance : 50mΩ Max.  
Operating force : 180, 250 ± 50g.  
Life : 100,000 Cycles.

**CIRCUIT DIAGRAM**



Rating: 50mA 12V DC.  
Travel: 0.25±0.1mm.  
Contact resistance: 100mΩ Max.  
Operating force: 160, 200±80g,  
250, 300, 350±100g.  
Life: 100,000 Cycles Min.  
Packing: 1,000pcs/reel.

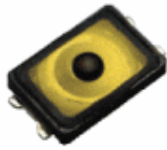
**IT-1158XX**

MODEL NO.	STEM(L)	MODEL NO.	STEM COLOR
□	3.4	□	Blue
A	5.1	W	White
B	4.3		
D	3.1		
F	5.6		

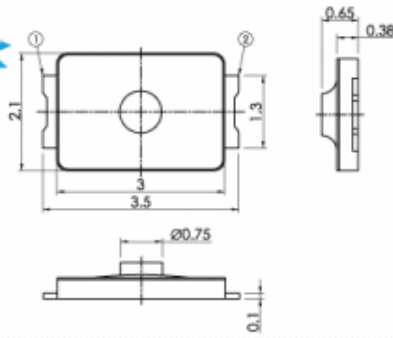
# SMD Type Tact Switches

**NEW**

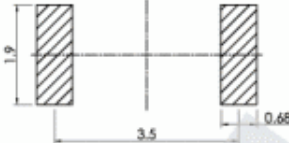
**Tiny**



**IT-0235**



**P.C.B. LAYOUT**



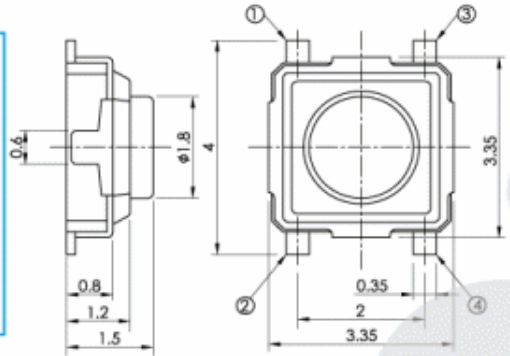
**CIRCUIT DIAGRAM**



Rating: 50mA 12V DC Max.  
Travel: 0.15±0.05mm.  
Contact resistance: 100mΩ Max.  
Operating force: 200±50g.  
Life: 30,000 Cycles Min.  
Packing: 10,000pcs/reel.



**IT-1184**



**P.C.B. LAYOUT**



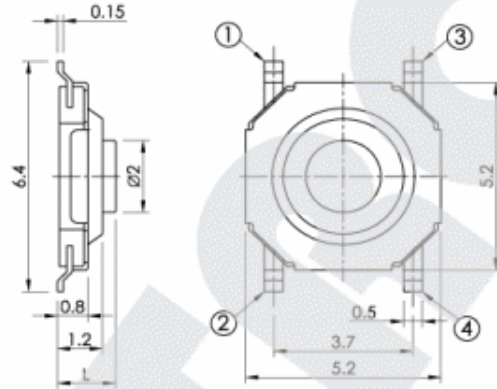
**CIRCUIT DIAGRAM**



Rating: 50mA 12V DC.  
Travel: 0.2±0.1mm.  
Contact resistance: 100mΩ Max.  
Operating force: 160, 250±50g.  
Life: 100,000 Cycles.  
Packing: 4,000pcs/reel.

**IT-1187**

**IT-1187U**

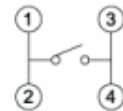


TERMINAL TYPE		STEM / MATERIAL	
<input type="checkbox"/>	GULL WING	<input type="checkbox"/>	W/
<input type="checkbox"/>	U BENT	<input type="checkbox"/>	N W/O

**IT-1187XXXX**

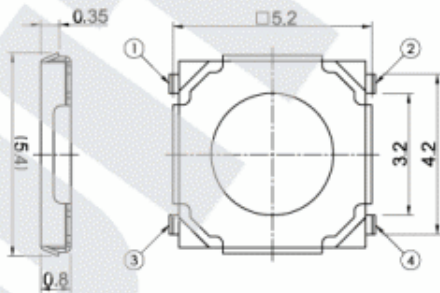
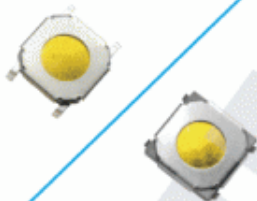
GROUND COVER		STEM(L) / MATERIAL	
<input type="checkbox"/>	W/O	<input type="checkbox"/>	1.5 / MATERIAL
<input type="checkbox"/>	W/	<input type="checkbox"/>	A 4.3 / MATERIAL
<input type="checkbox"/>	P	<input type="checkbox"/>	B 1.7 / MATERIAL

**CIRCUIT DIAGRAM**

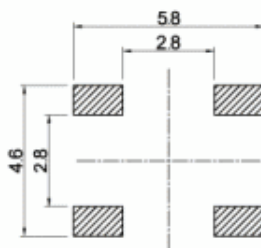


**IT-1187N**

**IT-1187UN**



**P.C.B. LAYOUT**

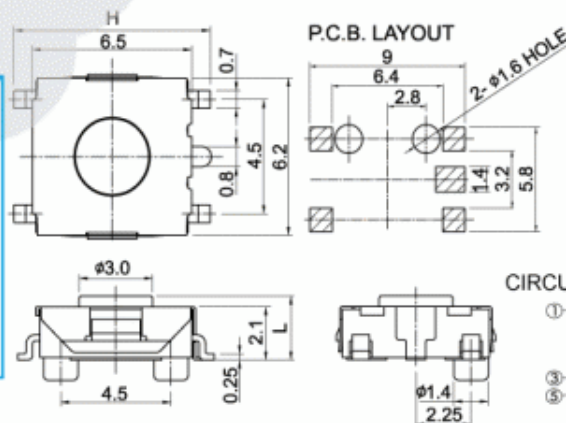
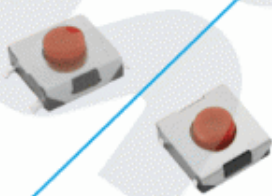


Rating : 50mA 12V DC Max.  
Circuit : SPST.  
Travel : 0.25±0.1mm.  
Contact resistance : 100mΩ Max.  
Operating force : 160, 250±50g.  
Life : 100,000 Cycles Min.  
Packing: 4,000pcs/reel.

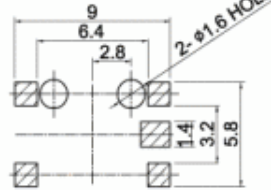
**NEW**

**IT-1157**

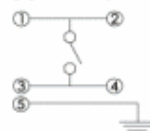
**IT-1157U**



**P.C.B. LAYOUT**



**CIRCUIT DIAGRAM**



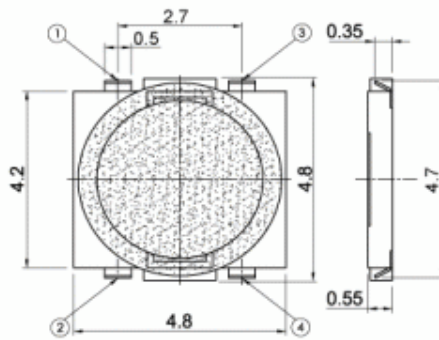
TERMINAL TYPE		TER' LENGTH(H)		STEM HEIGHT(L)	
<input type="checkbox"/>	GULL WING	A	8	S	2.5
<input type="checkbox"/>	U BENT	B	10	H	3.1
<input type="checkbox"/>		C	9	Q	3.8
<input type="checkbox"/>				C	4.3
<input type="checkbox"/>				K	5.0

**IT-1157XXXXX**

EMBOSSING CASE		GROUND COVER	
<input type="checkbox"/>	W/	<input type="checkbox"/>	W/
<input type="checkbox"/>	N W/O	<input type="checkbox"/>	D W/O

Rating : 50mA 12V DC.  
Travel : 0.25±0.1mm.  
Contact resistance : 100mΩ Max.  
Operating force : 160, 250±50g.  
Life : 100,000 Cycles Min.  
Packing : 1157 1,200pcs/reel.  
1157U 1,500pcs/reel.

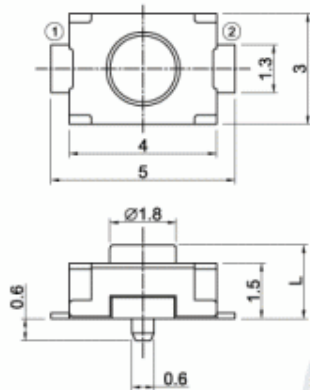
# SMD Type Tact Switches



**P.C.B. LAYOUT**

**CIRCUIT DIAGRAM**

Rating : 50mA 12V DC Max.  
 Circuit : SPST.  
 Travel : 0.2±0.1mm.  
 Contact resistance : 100mΩ Max.  
 Operating force : 160, 250±50g.  
 Life : 100,000 Cycles Min.  
 Packing : 7,000pcs/reel.



**P.C.B. LAYOUT**

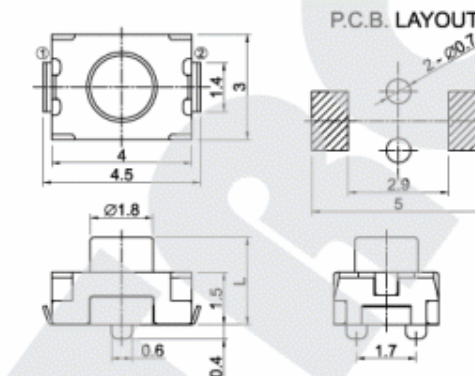
**IT-1185APXX**

EMBOSSING	
1	W/O
2	W/

STEM(L)	
□	2.0
A	1.5
C	2.5
D	1.8
F	4.0

Rating : 50mA 12V DC Max.  
 Circuit : SPST.  
 Contact resistance : 100mΩ Max.  
 Operating force : 160, 250±50g.  
 Life : 100,000 Cycles Min.

\* 鉗高1.5mm的尺寸  
本體高度為1.2mm



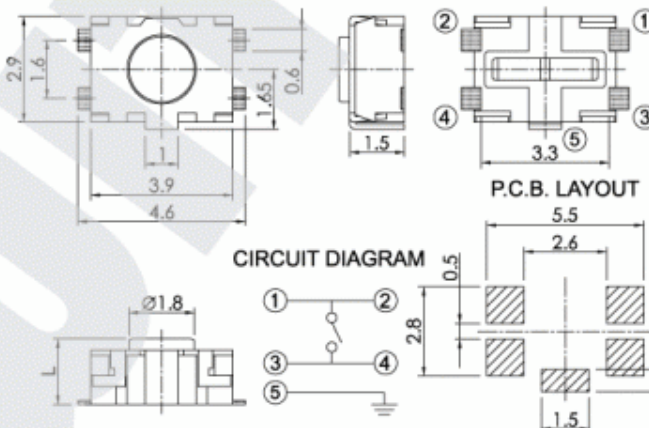
**P.C.B. LAYOUT**

**IT-1185AUX**

EMBOSSING	
1	W/O
2	W/

STEM(L)	
□	2.0
C	2.5
D	1.8
F	4.0
G	7.0

Rating : 50mA 12V DC Max.  
 Circuit : SPST.  
 Contact resistance : 100mΩ Max.  
 Operating force : 160, 250±50g.  
 Life : 100,000 Cycles Min.  
 Packing : 3,000pcs/reel.



**P.C.B. LAYOUT**

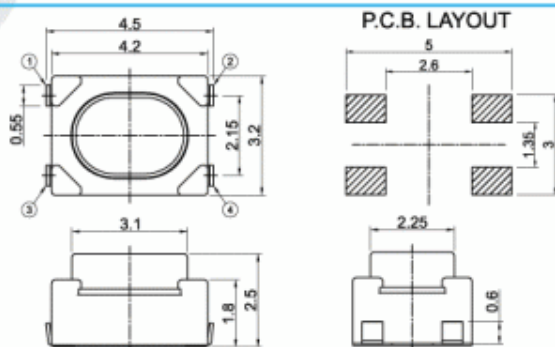
**IT-1185BP1X-X**

STEM(L)	
□	2.0
A	1.8
C	2.5
D	4.0
F	1.4

GROUND COVER	
□	W/O
P	W/

Rating : 50mA 12V DC Max.  
 Travel : 0.2±0.1mm.  
 Contact resistance : 100mΩ Max.  
 Operating force : 160, 250±50g.  
 Life : 100,000 Cycles Min.  
 Packing : 3,000pcs/reel.

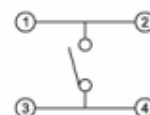
\* 鉗高1.4mm的尺寸  
本體高度為1.0mm



**P.C.B. LAYOUT**

Rating : 50mA 12V DC Max.  
 Travel : 0.15±0.1mm.  
 Contact resistance : 100mΩ Max.  
 Operating force : 160, 250±50g.  
 Life : 100,000 Cycles Min.  
 Packing : 3,000 pcs/reel.

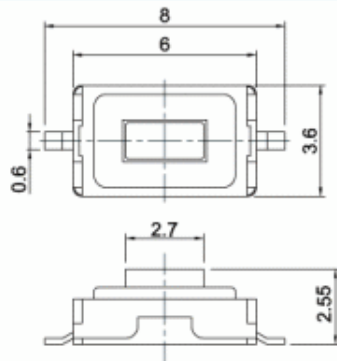
**CIRCUIT DIAGRAM**



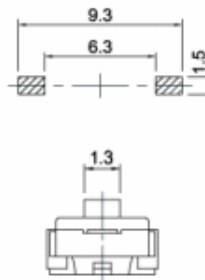
# SMD,DIP Type Tact Switches



IT-1181



P.C.B. LAYOUT



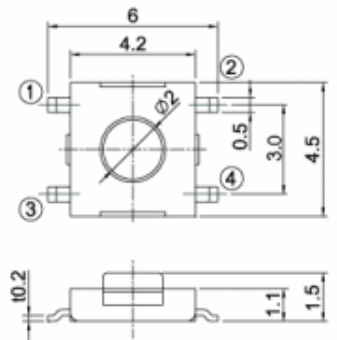
CIRCUIT DIAGRAM



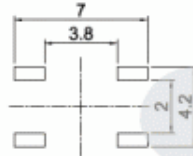
Rating : 50mA 12V DC Max.  
 Travel : 0.25±0.1mm.  
 Contact resistance : 100mΩ Max.  
 Operating force : 160±30g.  
 250, 500±50g.  
 Life : 160g : 50,000 Cycles Min.  
 250g,500g: 30,000 Cycles Min.  
 Packing: 3,000pcs/reel.



IT-1127



P.C.B. LAYOUT



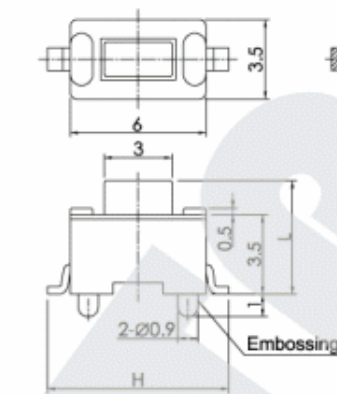
CIRCUIT DIAGRAM



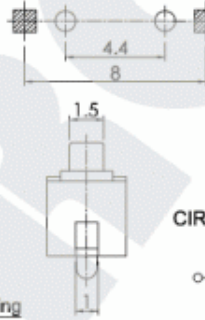
Rating : 50mA 12V DC Max.  
 Circuit : SPST.  
 Travel : 0.2±0.1mm.  
 Contact resistance : 100mΩ Max.  
 Operating force : 160, 250±50g.  
 Life : 100,000 Cycles Min.  
 Packing: 4,000pcs/reel.



IT-1101NE



P.C.B. LAYOUT



CIRCUIT DIAGRAM



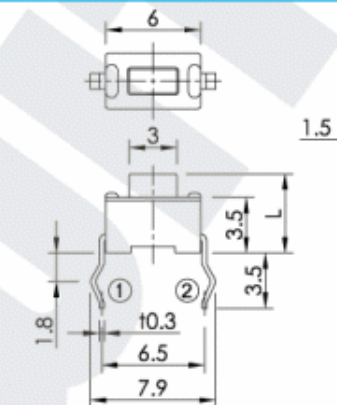
IT-1101XXX

EMBOSSING CASE		TERMINAL(H)		STEM(L)	
□	W/	E	8.0	□	4.3
N	W/O	S	10	A	5.0
		S9	9.0		

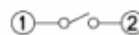
Rating : 50mA 12V DC.  
 Travel : 0.25±0.1mm.  
 Contact resistance : 100mΩ Max.  
 Operating force : 130, 160, 250±50g.  
 Life : 130, 160g : 50,000 Cycles Min.  
 250g : 30,000 Cycles Min.  
 Packing: 1,500pcs/reel.



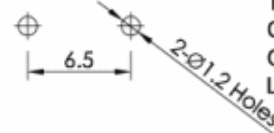
0343



CIRCUIT DIAGRAM



P.C.B. LAYOUT

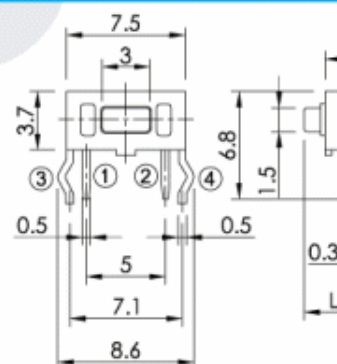


MODEL NO.	STEM (L)
0343	4.3
0350	5.0

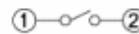
Rating : 50mA 12V DC.  
 Travel : 0.25±0.1mm.  
 Contact resistance : 100mΩ Max.  
 Operating force : 130, 180, 250±50g.  
 Life : 130g, 180g : 50,000 Cycles Min.  
 250g : 30,000 Cycles Min.



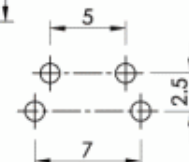
IT-1101V



CIRCUIT DIAGRAM



P.C.B. LAYOUT



MODEL NO.	STEM (L)
IT-1101V	3.15
IT-1101VA	3.85

Rating : 50mA 12V DC.  
 Travel : 0.25±0.1mm.  
 Contact resistance : 100mΩ Max.

# DIP Type Tact Switches

## SPECIFICATION

Rating : 50mA 12V DC.  
 Insulation resistance : >100MΩ 250V DC.  
 Contact resistance : <100mΩ.

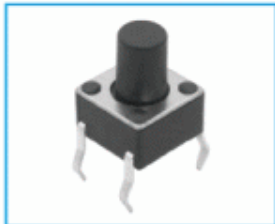
Withstand voltage : 250V AC for 1 minute.  
 Life : 100,000 Cycles.  
 Ambient temperature : -25°C ~ 70°C.  
 Operating force : 130, 160, 250±50g.

### 0643~0660



MODEL NO.	STEM(L)
0643	4.3
0650	5.0
0660	6.0

### 0670~0695

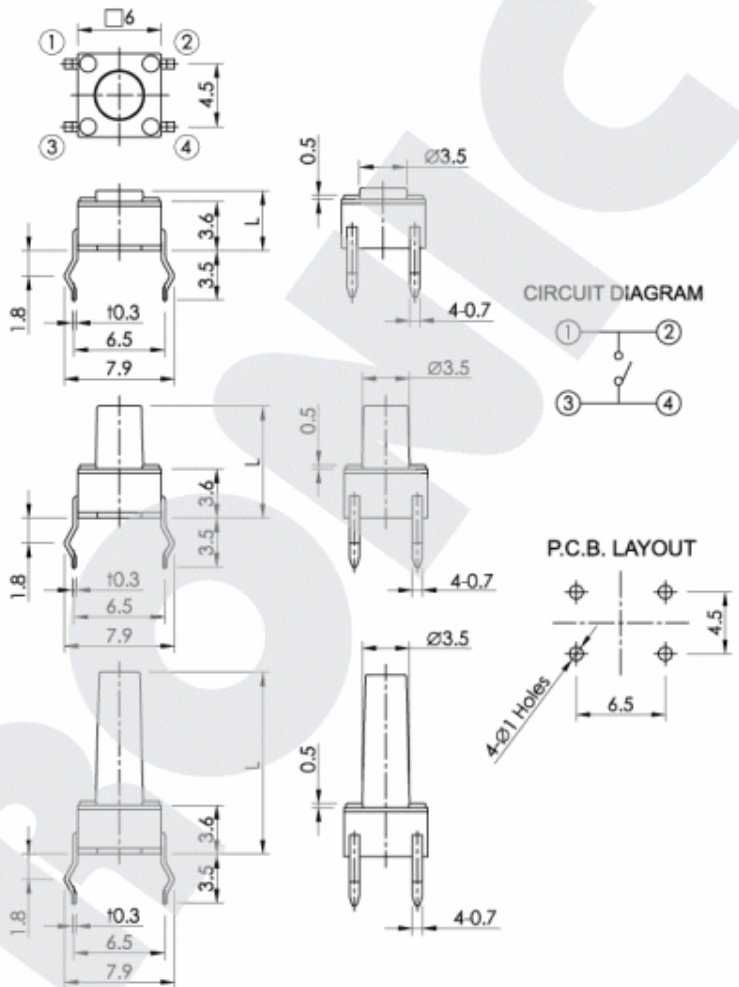


MODEL NO.	STEM(L)
0670	7.0
0680	8.0
0690	9.0
0695	9.5

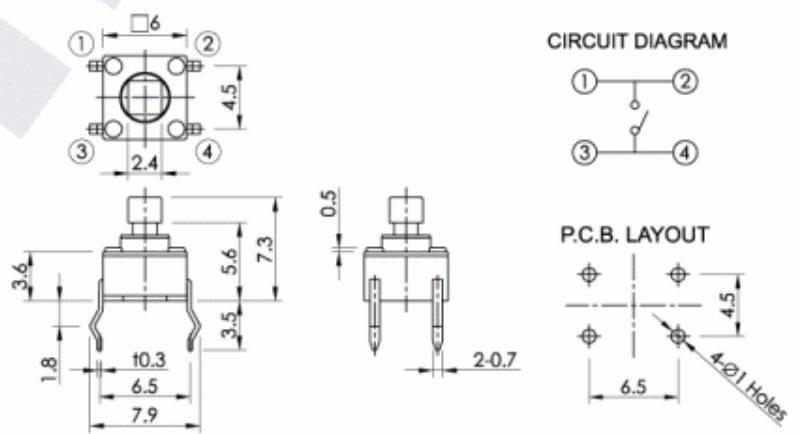
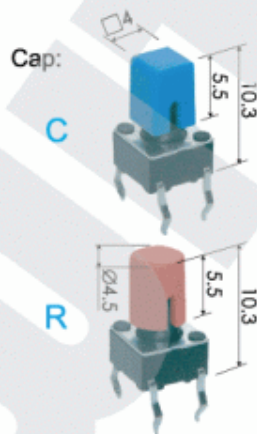
### 0610~0621



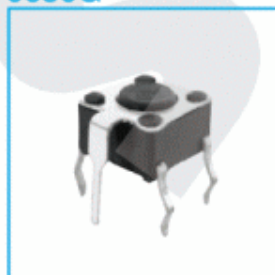
MODEL NO.	STEM(L)
0610	10.0
0611	11.0
0612	12.0
06125	12.5
0613	13.0
06135	13.5
0614	14.0
0615	15.0
0616	16.0
0617	17.0
0619	19.0
0621	21.0



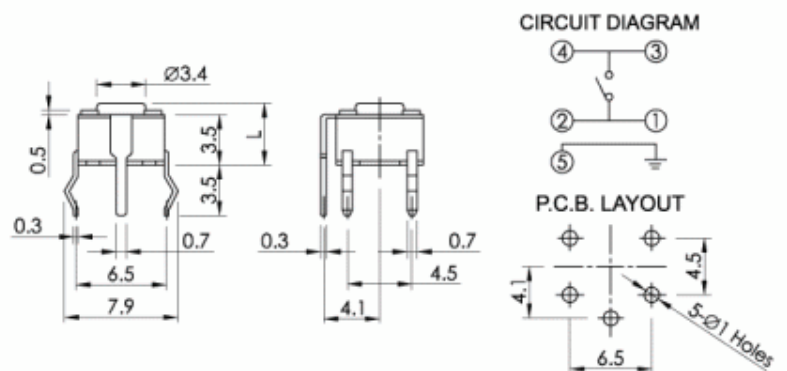
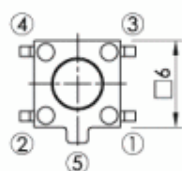
### 0673



### 0643G (Grounding) 0650G



MODEL NO.	STEM(L)
0643G	4.3
0650G	5.0

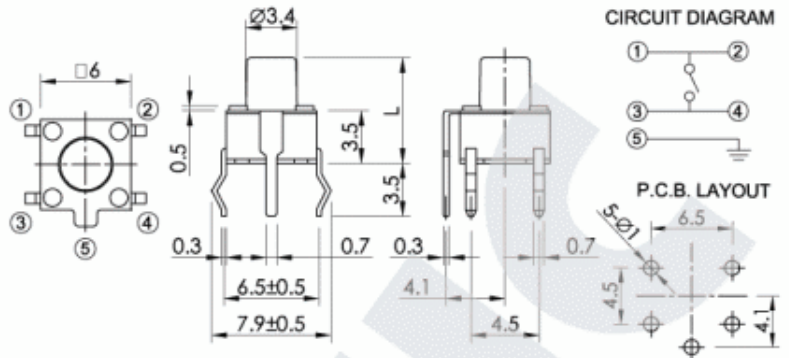


# DIP Type Tact Switches

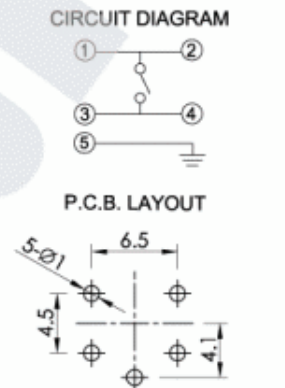
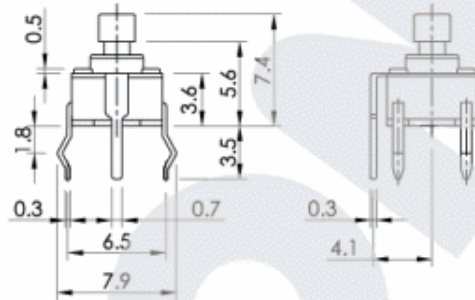
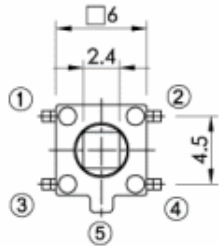
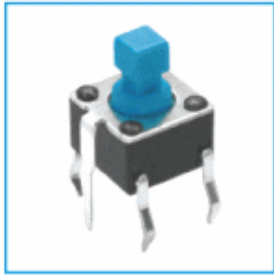
0670G, 0680G, 0695G, (Grounding)  
06125G, 06135G



MODEL NO.	STEM(L)
0670G	7.0
0680G	8.0
0695G	9.5
06125G	12.5
06135G	13.5



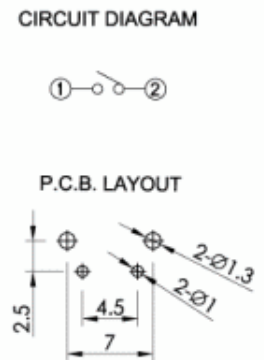
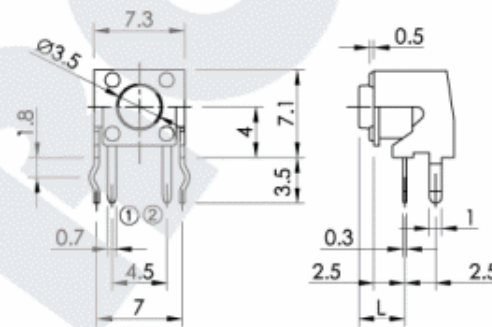
0673G (Grounding)



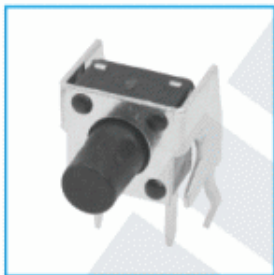
0743, 0750



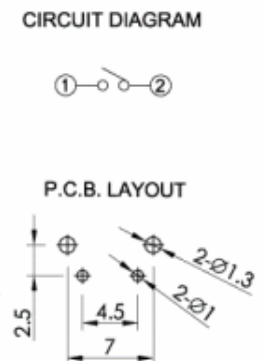
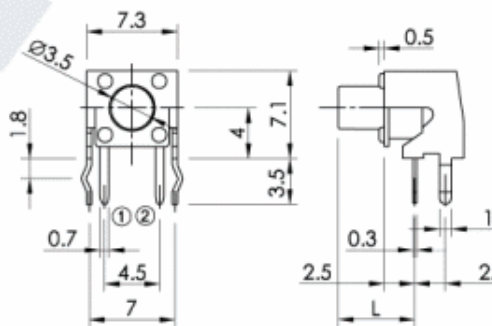
MODEL NO.	STEM(L)
0743	3.15
0750	3.85
0755	4.35
0760	4.85



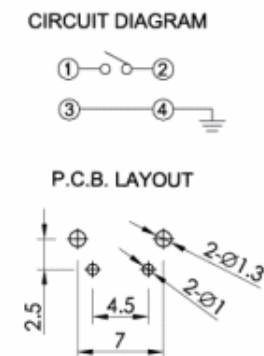
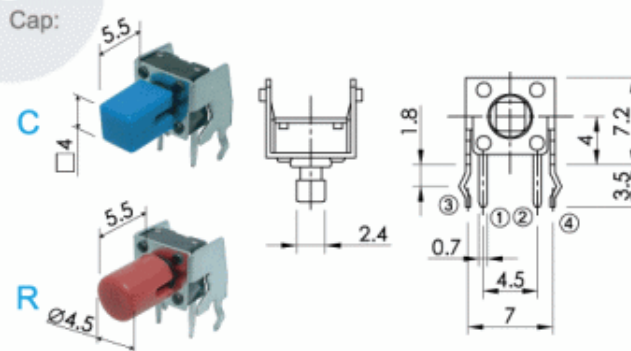
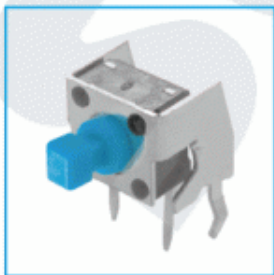
0770, 0780, 0795



MODEL NO.	STEM(L)
0770	5.85
0772	6.15
0780	6.85
0795	8.35
07125	11.35
07135	12.35

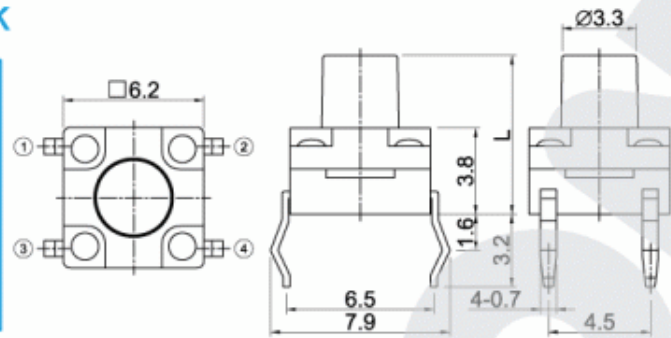
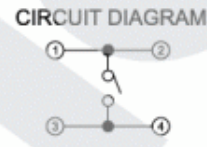
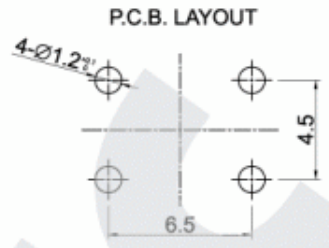
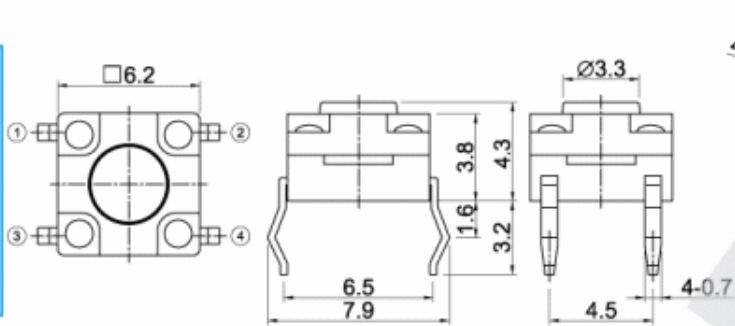


0773

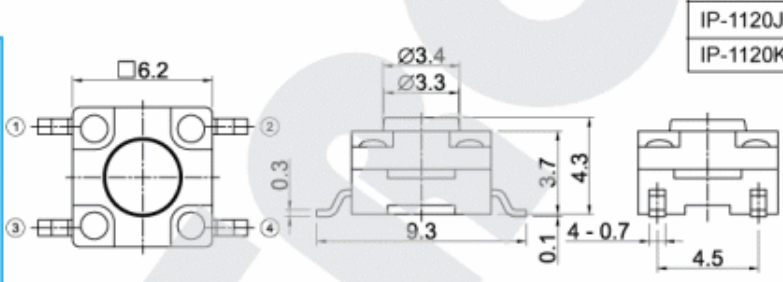




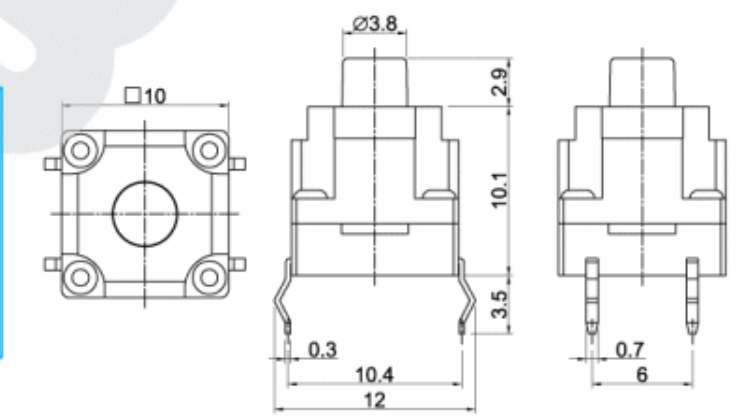
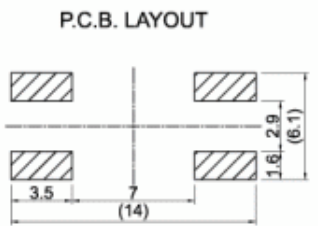
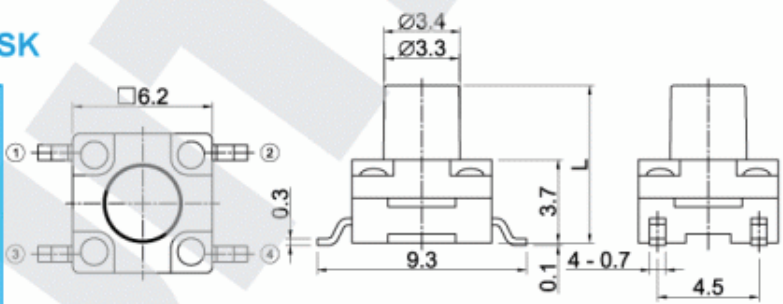
# Sealed Tact Switches



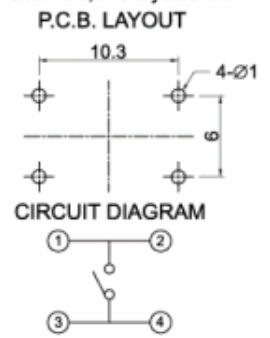
MODEL NO.		STEM(L)	Packing
DIP	SMD		
IP-1120A	IP-1120SA	4.3	1,000pcs/reel
IP-1120B	IP-1120SB	4.5	1,000pcs/reel
IP-1120C	IP-1120SC	5.0	1,000pcs/reel
IP-1120D	IP-1120SD	6.0	1,000pcs/reel
IP-1120E	IP-1120SE	6.5	1,000pcs/reel
IP-1120F	IP-1120SF	7.0	1,000pcs/reel
IP-1120G	IP-1120SG	8.0	1,000pcs/reel
IP-1120H	IP-1120SH	8.5	1,000pcs/reel
IP-1120J	IP-1120SJ	9.0	500pcs/reel
IP-1120K	IP-1120SK	9.5	500pcs/reel



Rating: 50mA 12V DC Max.  
 Travel: 0.35±0.15mm.  
 Operating force: 180, 250±50g.  
 Life: 100,000 Cycles Min.

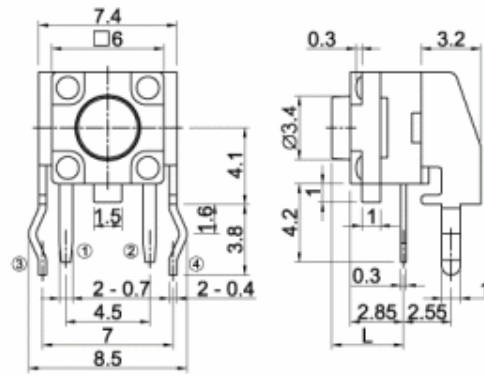


Rating: 50mA 12V DC Max.  
 Travel: 0.5±0.2mm.  
 Contact resistance: 100mΩ Max.  
 Operating force: 250±50g.  
 Life: 100,000 Cycles Min.

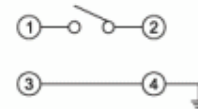


# Sealed Tact Switches

## IPS-1120VA



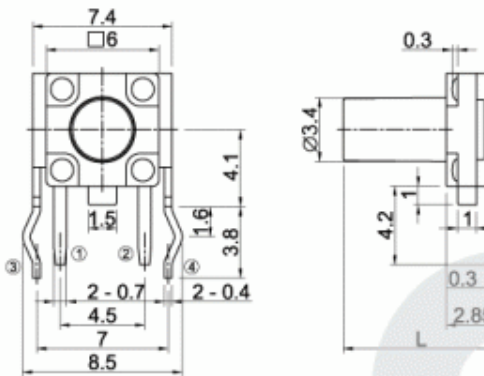
### CIRCUIT DIAGRAM



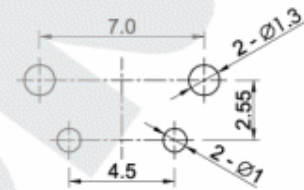
Rating: 50mA 12V DC Max.  
 Travel: 0.35±0.15mm.  
 Contact resistance: 50mΩ Max.  
 Operating force: 250±50g.  
 Life: 100,000 Cycles Min.

MODEL NO.	STEM(L)
IPS-1120V	3.15
IPS-1120VA	3.85
IPS-1120VF	5.85
IPS-1120VC	6.85
IPS-1120VD	8.35

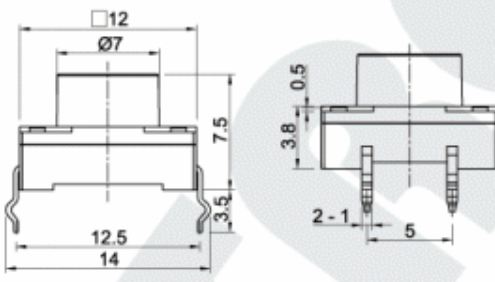
## IPS-1120VF



### P.C.B. LAYOUT



## IP-1275

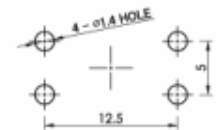


### CIRCUIT DIAGRAM



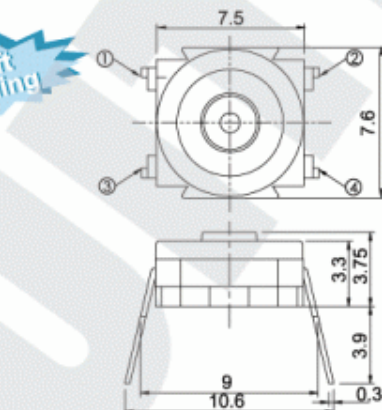
Rating: 50mA 12V DC Max.  
 Travel: 0.35±0.15mm.  
 Contact resistance: 50mΩ Max.  
 Operating force: 250±50g.  
 Life: 100,000 Cycles Min.

### P.C.B. LAYOUT

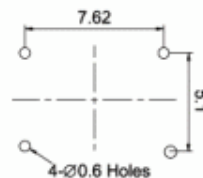


## IT-1155

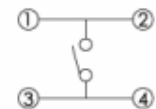
Soft feeling



### P.C.B. LAYOUT



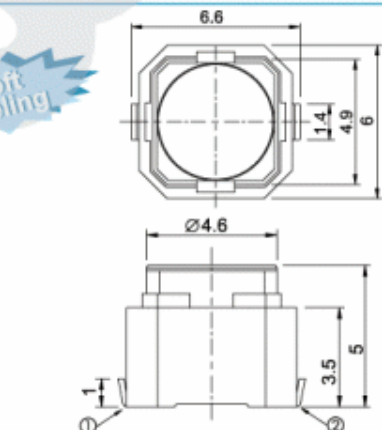
### CIRCUIT DIAGRAM



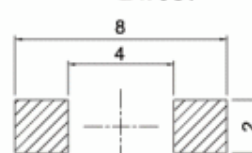
Rating : 50mA 12V DC.  
 Travel : 0.3±0.1mm  
 Contact resistance : 100mΩ Max.  
 Operating force : 160, 250±50g.  
 Life : 100,000 Cycles.

## IT-1199

Soft feeling



### P.C.B. LAYOUT



### CIRCUIT DIAGRAM

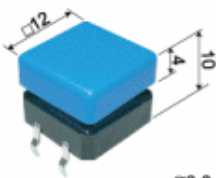


MODEL NO.	STEM(L)
IT-1199	4.3
IT-1199A	5.0

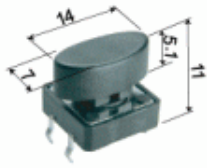
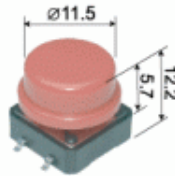
Rating : 50mA 12V DC.  
 Travel : 1.3±0.3mm.  
 Contact resistance : 100mΩ Max.  
 Life : 100,000 Cycles

# DIP, SMD Type Tact Switches

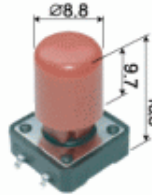
1273C  
CAP



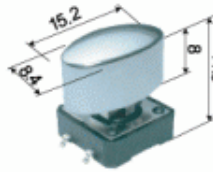
1273R  
CAP



KM8



KM4



KM6



1273

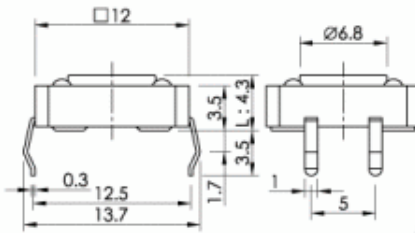


1273S

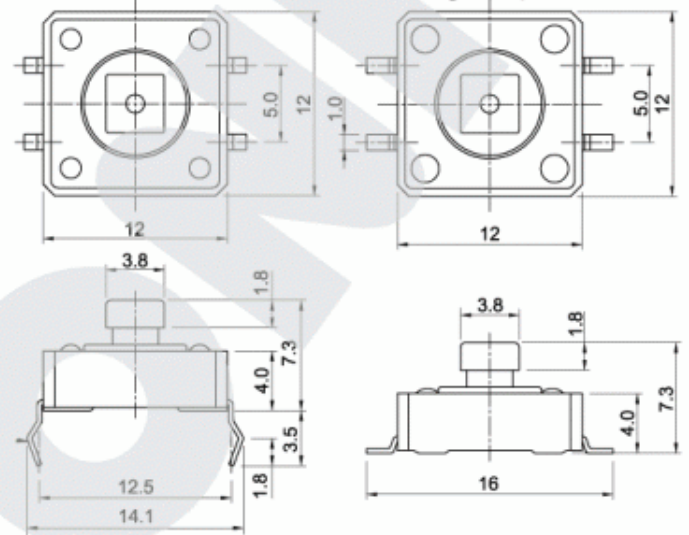
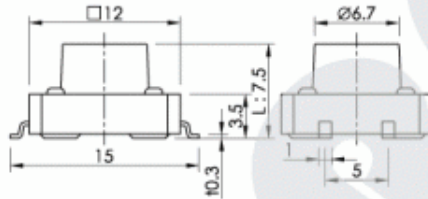
Packing : 400pcs/reel.



1243



1275S

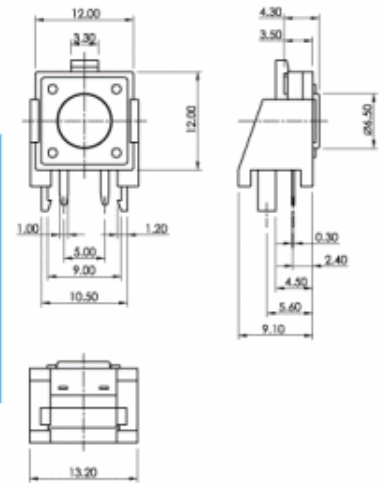


Rating: 50mA 12V DC.  
Travel: 0.3±0.15mm.  
Contact resistance: 100mΩ Max.  
Operating force: 160, 250±50g.  
Life: 100,000 Cycles Min.

MODEL NO. DIP	STEM(L)	MODEL NO. SMD	SMD Packing
1243	4.3	1243S	800pcs/reel
1250	5.0	1250S	500pcs/reel
1260	6.0	1260S	800pcs/reel
1275	7.5	1275S	400pcs/reel
1280	8.0	1280S	500pcs/reel
1285	8.5	1285S	400pcs/reel
1290	9.0	1290S	300pcs/reel
1295	9.5	1295S	
1210	10.0	1210S	
1211	11.0	1211S	
1213	13.0	1213S	
1215	15.0	1215S	



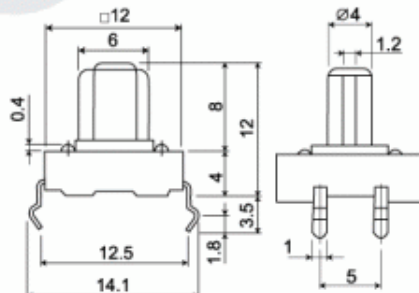
1243V



Rating : 50mA 12V DC.  
Travel : 0.3±0.15mm.  
Contact resistance : 100mΩ Max.  
Operating force : 160, 250±50g.  
Life : 100,000 Cycles.



1212



1212D

