

PB Series Push Switches

SPECIFICATION

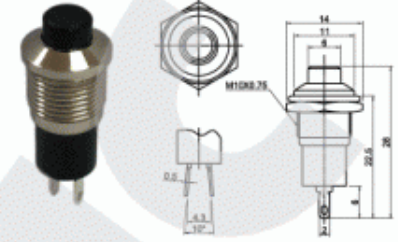
Rating : 0.5A 250V AC.
 1A 125V AC.
 Circuit : SPST.
 Contact resistance : 20mΩ Max.
 Insulation resistance : 100MΩ
 Withstand voltage : 1,500V AC.
 Electrical life : 5,000 Cycles Min.
 Mechanical life : 10,000 Cycles Min.

BUTTON COLOR CHART

COLOR NO.	COLOR	COLOR NO.	COLOR
W	White	G	Gray
B	Black	GN	Green
R	Red (Std.)	BU	Blue
O	Orange	BR	Brown
Y	Yellow		

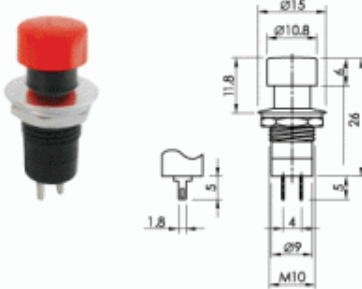
NEW

MODEL NO.	TYPE
PB-05A	OFF ON
PB-05B	OFF (ON)



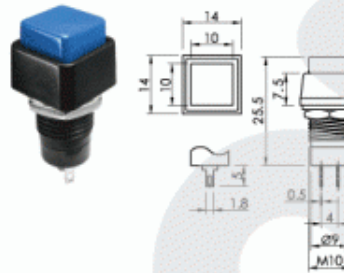
NEW

MODEL NO.	TYPE
SPB-11A	OFF ON
SPB-11B	OFF (ON)



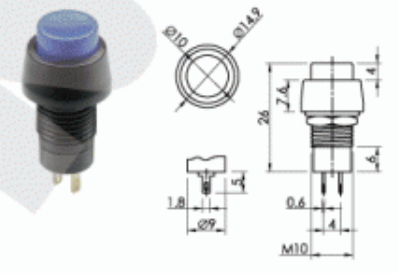
NEW

MODEL NO.	TYPE
SPB-14A	OFF ON
SPB-14B	OFF (ON)

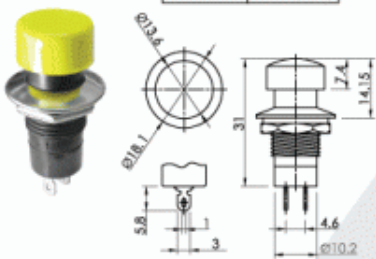


NEW

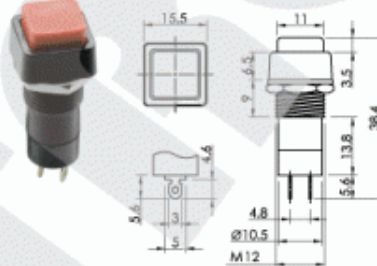
MODEL NO.	TYPE
SPB-10A	OFF ON
SPB-10B	OFF (ON)



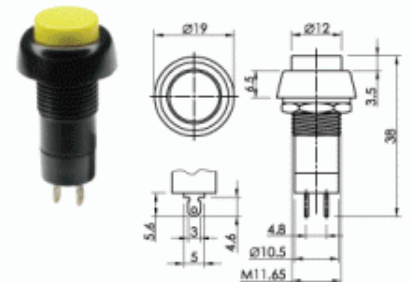
MODEL NO.	TYPE
PB-11A	OFF ON
PB-11B	OFF (ON)
PB-11C	ON (OFF)



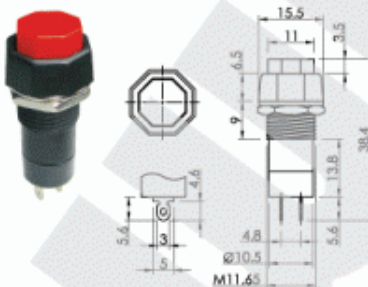
MODEL NO.	TYPE
PB-14A	OFF ON
PB-14B	OFF (ON)
PB-14C	ON (OFF)



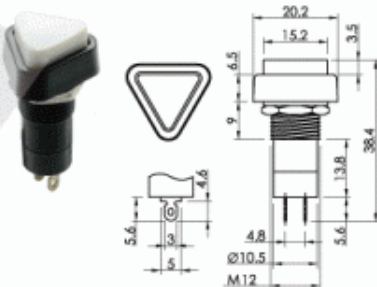
MODEL NO.	TYPE
PB-10A	OFF ON
PB-10B	OFF (ON)



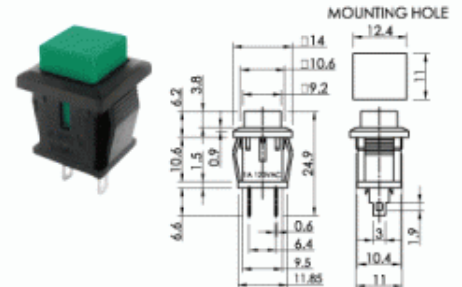
MODEL NO.	TYPE
PB-18A	OFF ON
PB-18B	OFF (ON)



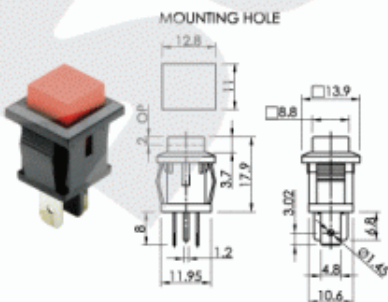
MODEL NO.	TYPE
PB-13A	OFF ON
PB-13B	OFF (ON)



MODEL NO.	TYPE
PB-02	OFF (ON)
PB-02F	ON (OFF)

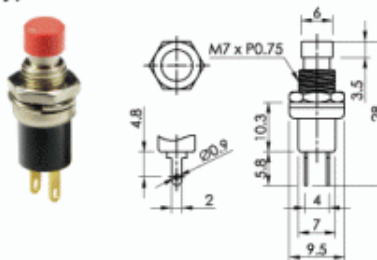


MODEL NO.	TYPE
PB-02T	OFF (ON)



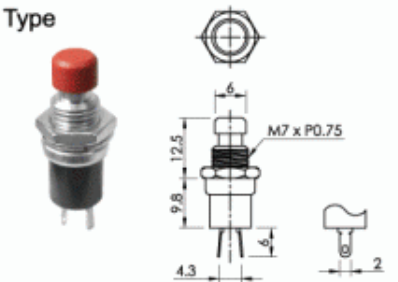
N.O Type

MODEL NO.	TYPE
PB-05-7	OFF (ON)
PB-05A-7	OFF LOCK



N.C Type

MODEL NO.	TYPE
PB-05-8F	ON (OFF)



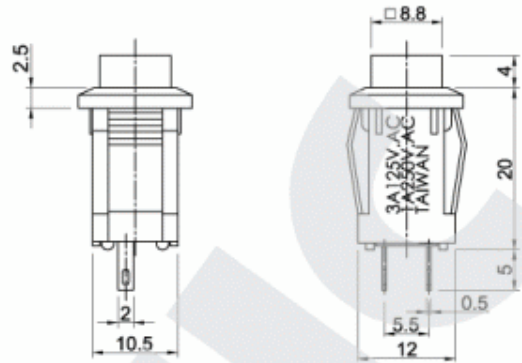
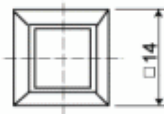
PB, MPS Series Push Switches

PB-02AK (LOCK TYPE)



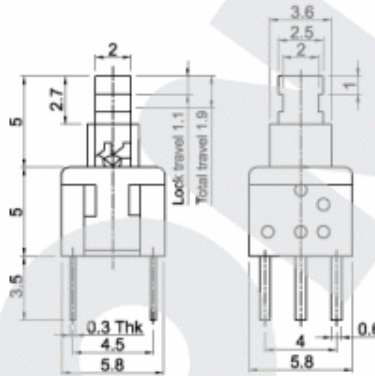
1A 250V AC
3A 125V AC

MODEL NO.	TYPE
PB-02AK	OFF ON Lock
PB-02ANK	OFF (ON) Lock

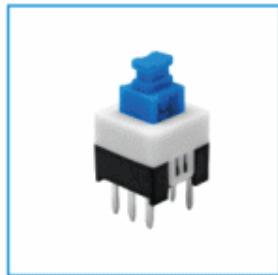


0.1A 30V DC

MODEL NO.	TYPE
MPS-580D	Lock
MPS-580ND	Non-lock

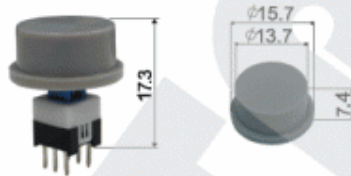


- Rating : 0.1A 30V DC.
- Circuit : DPDT
- Contact resistance : 70mΩ.
- Operating force : 180±50g.
- Life : 10,000 Cycles.

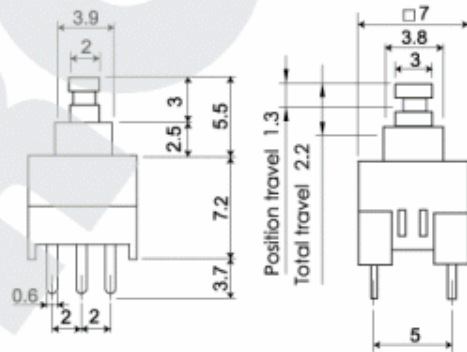


0.1A 30V DC

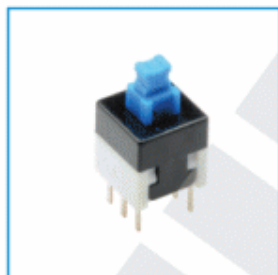
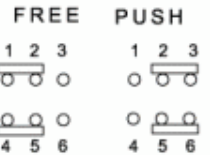
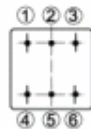
MODEL NO.	TYPE
MPS-700	Lock
MPS-700N	Non-lock



CAP: C12 RED, BLACK, GRAY

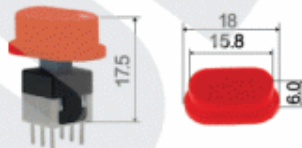


SCHEMATIC

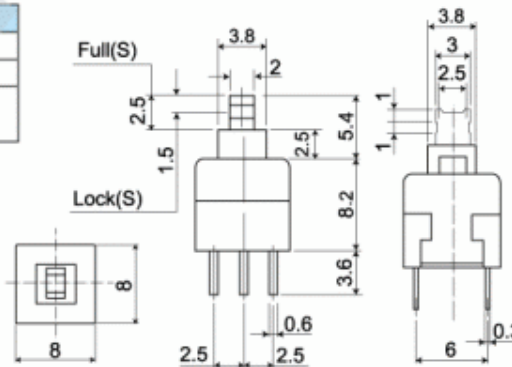


0.1A 30V DC

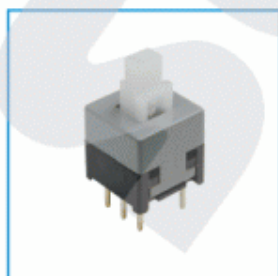
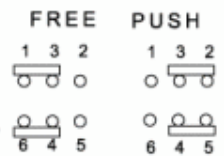
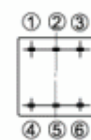
MODEL NO.	TYPE
MPS-800	Lock
MPS-800N	Non-lock
MPS-800V	Non-lock Click sound



CAP: C23 RED, BLACK, GRAY

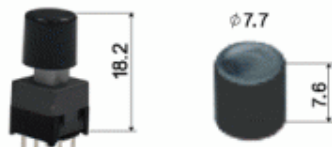


SCHEMATIC

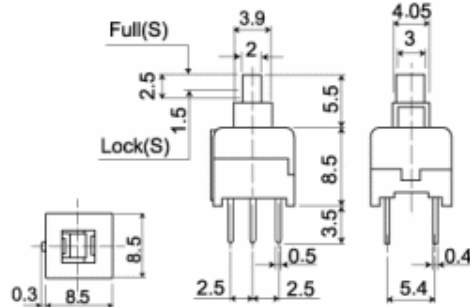


0.3A 30V DC

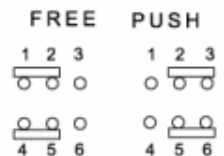
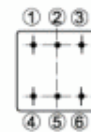
MODEL NO.	TYPE
MPS-850	Lock
MPS-850N	Non-lock
MPS-850V	Non-lock Click sound



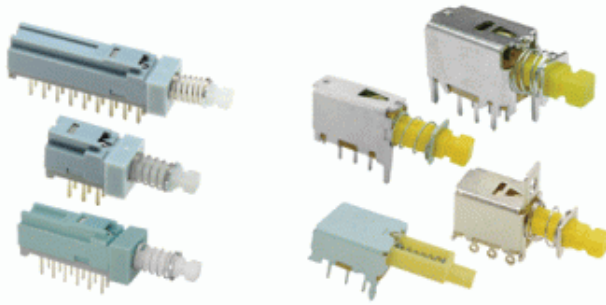
CAP: C13 RED, BLACK



SCHEMATIC



PS909 Tiny Push Switches W/Cap

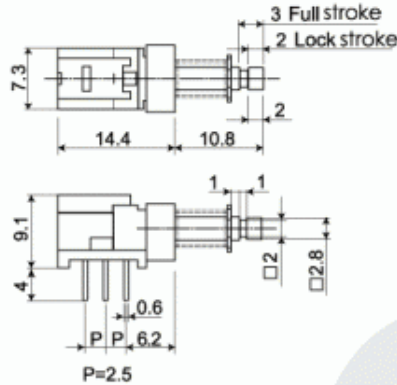


SPECIFICATION

Rating	: 0.1A 30V DC.
Contact resistance	: $\leq 50\text{m}\Omega$ (initial)
Insulation resistance	: $\geq 100\text{M}\Omega$ at 250V DC.
Withstand voltage	: 250V AC for 1 minute.
Operating temperature	: $-20^{\circ}\text{C} \sim +70^{\circ}\text{C}$.
Ambient humidity	: $< 85\% \text{RH}$.
Operating force	: 100 ~ 400g.
Mechanical life	: 30,000 Cycles.
Electrical life	: 10,000 Cycles.
Soldering temperature	: 220°C Max. for 3 sec.

DPDT

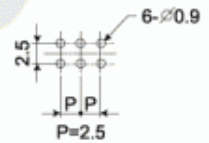
PS909L-22 LOCK
PS909NN-22 NON-LOCK



CIRCUIT DIAGRAM

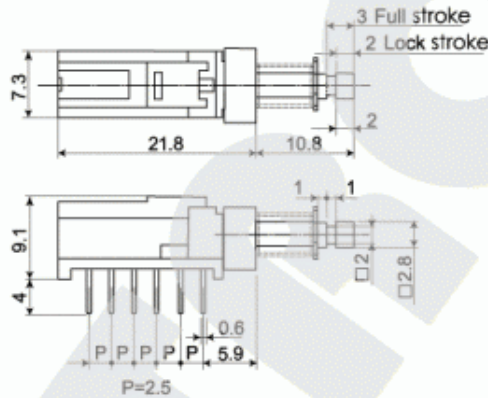


P.C.B. LAYOUT

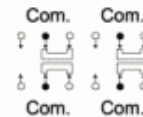


4PDT

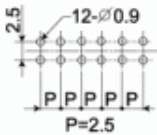
PS909L-42 LOCK
PS909NN-42 NON-LOCK



CIRCUIT DIAGRAM

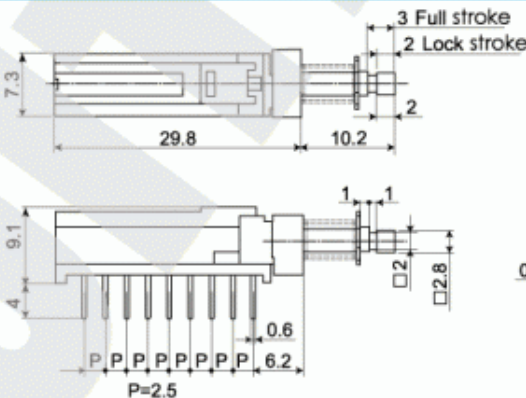


P.C.B. LAYOUT

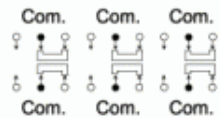


6PDT

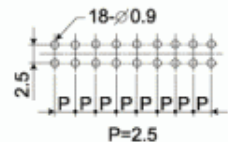
PS909L-62 LOCK
PS909NN-62 NON-LOCK



CIRCUIT DIAGRAM



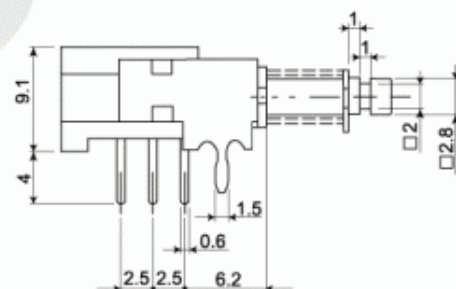
P.C.B. LAYOUT



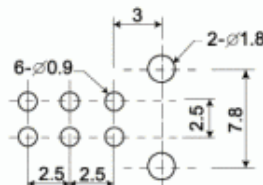
DPDT

PS909L-22G LOCK
PS909NN-22G NON-LOCK

W/ PCB SUPPORT



P.C.B. LAYOUT



CAP STYLES



Cap color: Black



Cap color: Black, White