



电流电压传感器

选型手册(工业应用分册)

Current & Voltage Transducer Catalogue-
Industry Application



宁波中车时代传感技术有限公司

NINGBO CRRC TIMES TRANSDUCER TECHNOLOGY CO., LTD.

地址 / Add:浙江省宁波市江北区振甬路138号

No.138,zhenyong Rd.,Jiangbei,Ningbo,Zhejiang,315021,China

电话 / Tel:+86-574-87354108

传真 / Fax:+86-574-87131583

邮箱 / Email:csrsensor@csrzic.com

网址 / Web:www.csrsensor.com www.nbteg.cn

2016

宁波中车时代传感技术有限公司

NINGBO CRRC TIMES TRANSDUCER TECHNOLOGY CO., LTD.

目录

Contents

应用领域 Application area	PAGE/03
测试能力 Test capability	PAGE/07
生产制造能力 Production capacity	PAGE/09
电流传感器型号规格及技术参数 Type & Specification of Series Current Transducers	PAGE/11
0.1A-10A电流传感器型号规格及技术参数 Type & Specification of 0.1A-10A Series Current Transducers	PAGE/13
10A-20A电流传感器型号规格及技术参数 Type & Specification of 10A-20A Series Current Transducers	PAGE/15
20A-40A电流传感器型号规格及技术参数 Type & Specification of 20A-40A Series Current Transducers	PAGE/17
50A-75A电流传感器型号规格及技术参数 Type & Specification of 50A-75A Series Current Transducers	PAGE/19
80A-200A电流传感器型号规格及技术参数 Type & Specification of 80A-200A Series Current Transducers	PAGE/21
200A-300A电流传感器型号规格及技术参数 Type & Specification of 200A-300A Series Current Transducers	PAGE/23
300A-500A电流传感器型号规格及技术参数 Type & Specification of 300A-500A Series Current Transducers	PAGE/25
500A-700A电流传感器型号规格及技术参数 Type & Specification of 500A-700A Series Current Transducers	PAGE/27
800A-1000A电流传感器型号规格及技术参数 Type & Specification of 800A-1000A Series Current Transducers	PAGE/29
1000A-1500A电流传感器型号规格及技术参数 Type & Specification of 1000A-1500A Series Current Transducers	PAGE/31
2000A-3000A电流传感器型号规格及技术参数 Type & Specification of 2000A-3000A Series Current Transducers	PAGE/33
电压传感器型号规格及技术参数 Type & Specification of Series Voltage Transducers	PAGE/35
10..1000V-1000V电压传感器型号规格及技术参数 Type & Specification of 10..1000V-1000V Series Voltage Transducers	PAGE/37
1000V-4000V电压传感器型号规格及技术参数 Type & Specification of 1000V-4000V Series Voltage Transducers	PAGE/39
电流传感器外形安装尺寸图 Current Dimensions Diagram	PAGE/41
电压传感器外形安装尺寸图 Voltage Dimensions Diagram	PAGE/59
资质认证 Voltage Dimensions Diagram	PAGE/64



Solar PV
• 光伏领域应用



• 焊接领域应用
Welding



• UPS应用
UPS/TPS



• 电动汽车应用
Electric Vehicles



• 变速驱动应用
VSD



清洁能源能量变换与高效利用的
传感测量系统解决方案提供商



Sensor measurement system solution
provider for clean energy,
energy transformation and high-efficient
utilization

• 风电领域应用
Wind power



• 高压直流输电
HVDC



• 电梯领域应用
Elevator



• 轨道交通应用
Rail transit



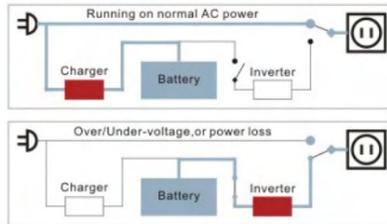


• 焊接领域应用
Welding



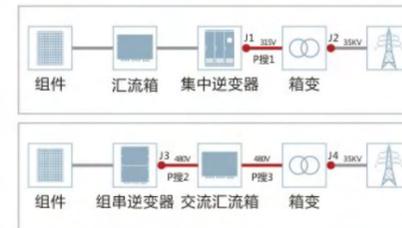
主型产品：
NT308-S/SP5
NACF.600H-S5/VI
NV25-XXXV

• UPS应用
UPS/TPS



主型产品：
NACR.25D-P6/VN
NACG.10-S1/V
NACL.2000B1-S5/SP2
NT308-S/SP5
NVCT.800-13

• 光伏领域应用
Solar PV



Electric Vehicles

• 电动汽车应用

主型产品：
NACF.300C-S5/V
NACL.100P-S6
NACF.800M-S5/VM
NACA.800L-S6/SP1VA



• 变速驱动应用
VSD



HVDC
• 高压直流输电

主型产品：
NVCT.2800C-11/N



• 电梯领域应用
Elevator



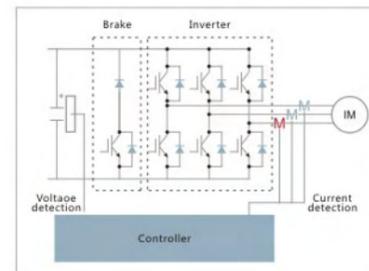
Rail transit
• 轨道交通应用

主型产品：
NACL.1000Q-S3/SP4
NACL.1000Q-S3/SP9
NVCL.2000B-13
NVCL.2000C2-11



• 风电领域应用
Wind power

主型产品：
NACL.1000B-S5/SP2
NT2000C-S/SP5
NCV4A-1000V/SP4
NCV1-1000V/SP3
NACF.1000J-S5/V





型式试验能力国内同行最完备

Most complete type test ability in domestic



01	02
01	03 04



通用检测试验能力
Type test ability

- 01 EMC 实验室 (EMC laboratory)
- 02 CNASL7051 (CNASL7051)
- 03 雨淋试验箱 (Rain test chamber)
- 04 振动实验..... (Vibration test)



01 带宽测试系统、
di/dt,dv/dt综合测试台
(业内唯一)
Bandwidth test system,
di/dt,dv/dt integrated test stand
(Professional test equipment)

02 灌封胶专业实验室
Pouring sealant
professional laboratory

03 传感器寿命及可靠性实验室
(正在筹备)

Failure analysis equipment X Ray

01
02 02 03



专业测试能力业内领先

Professional testing ability leading industry



SMT



自动绕线
Automatic winding



自动调试系统
Automatic debugging system



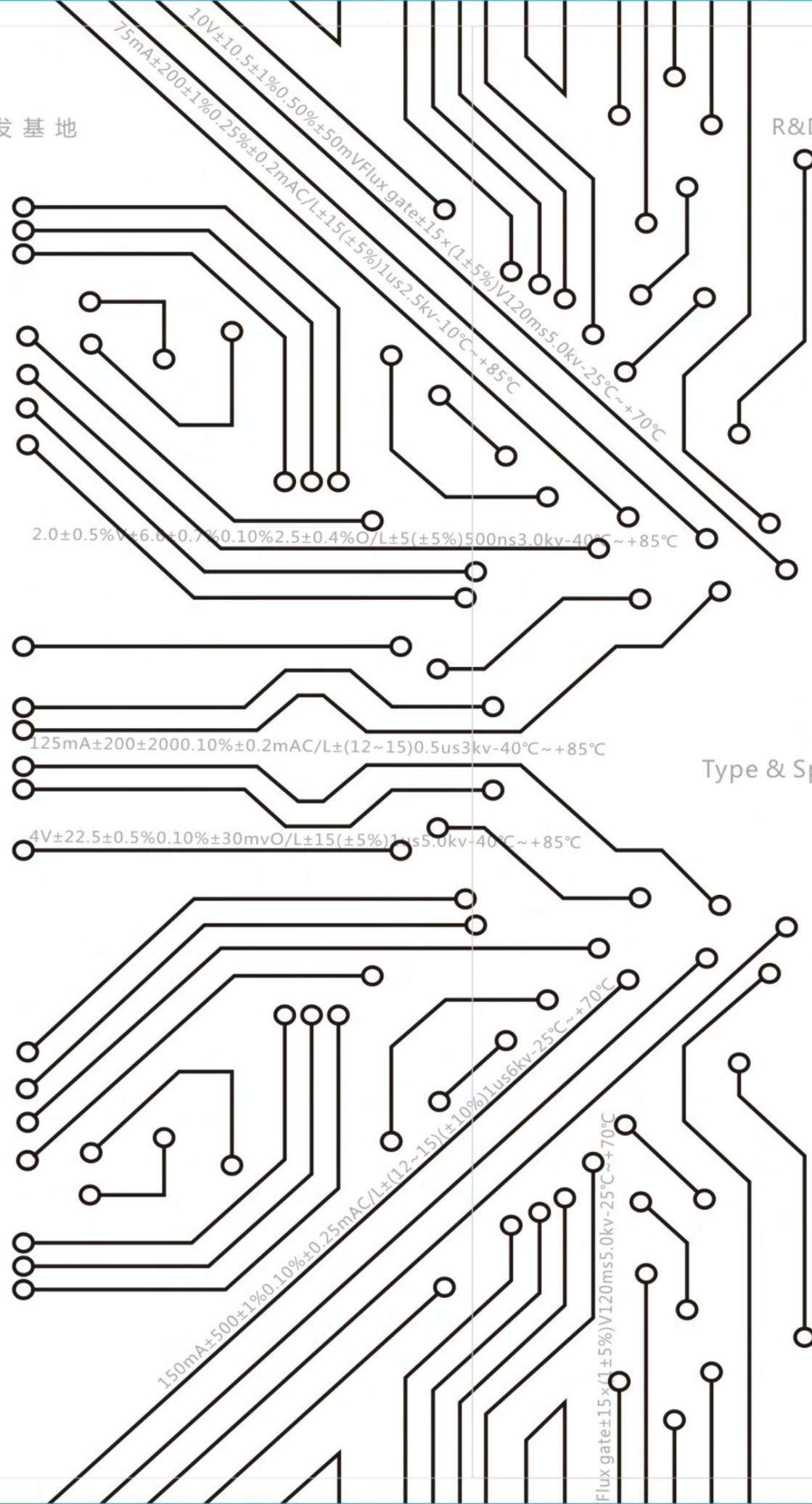
全自动灌胶
Automatic gluing



老化筛选
Aging screening



专业测试能力
Professional testing



电流传感器型号规格及技术参数

Type & Specification of Series Current Transducers



0.1A-10A
电流传感器型号规格及技术参数

Type & Specification of 0.1A-10A Series Current Transducers

额定电流 (A) Primary Nominal Current(A)	型号 Type	额定测量 输出 Secondary Nominal output	测量范围 (A) Measuring Range(A)	基本误差 (\leq) Accuracy (\leq)	线性度误差 (\leq) Linearity (\leq)	零点输出误差 (+25°C) Offsetofzero (+25°C)	技术原理 Technonlgy Principle	电源电压 Supply Voltage	响应时间 (\leq) Response Time(\leq)	耐压 Isolation Voltage	工作温度 Operating Temperature	外型图 Drawing	备注编号 Note No.
0.1	NACG.0.1-S1/V	5V	± 0.12	$\pm 1.0\%$	0.5%	$\pm 50\text{mV}$	Flux gate	$\pm 15 \times (1 \pm 5\%) \text{V}$	120ms	5.0kV	-25°C~+70°C		PAGE.51 /FIG.25
0.2	NACG.0.2-S1/V	5V	± 0.24	$\pm 1.0\%$	0.5%	$\pm 50\text{mV}$	Flux gate	$\pm 15 \times (1 \pm 5\%) \text{V}$	120ms	5.0kV	-25°C~+70°C		PAGE.51 /FIG.25
2	NACG.2-S1/V	5V	± 2.4	$\pm 1.0\%$	0.5%	$\pm 50\text{mV}$	Flux gate	$\pm 15 \times (1 \pm 5\%) \text{V}$	120ms	5.0kV	-25°C~+70°C		PAGE.51 /FIG.25
3	NACL3T1-P6/VN	4V	± 9	$\pm 0.5\%$	0.1%	$\pm 30\text{mV}$	C/L	$\pm 15 \times (1 \pm 5\%) \text{V}$	1us	3.0kV	-40°C~+85°C		PAGE.48 /FIG.17
	NACL3T5-P6/VN	4V	± 9	$\pm 0.5\%$	0.1%	$\pm 30\text{mV}$	C/L	$\pm 15 \times (1 \pm 5\%) \text{V}$	1us	3.0kV	-40°C~+85°C		PAGE.49 /FIG.20
	NACL3T6-P6/VN	4V	± 9	$\pm 0.5\%$	0.1%	$\pm 30\text{mV}$	C/L	$\pm 15 \times (1 \pm 5\%) \text{V}$	1us	5.0kV	-40°C~+85°C		PAGE.49 /FIG.21
5	NACL5T3-P6/VN	4V	± 15	$\pm 0.5\%$	0.1%	$\pm 30\text{mV}$	C/L	$\pm 15 \times (1 \pm 5\%) \text{V}$	1us	3.0kV	-40°C~+85°C		PAGE.49 /FIG.19
	NACL5T1-P6/VN	4V	± 15	$\pm 0.5\%$	0.1%	$\pm 30\text{mV}$	C/L	$\pm 15 \times (1 \pm 5\%) \text{V}$	1us	3.0kV	-40°C~+85°C		PAGE.48 /FIG.17
	NACL5T5-P6/VN	4V	± 15	$\pm 0.5\%$	0.1%	$\pm 30\text{mV}$	C/L	$\pm 15 \times (1 \pm 5\%) \text{V}$	1us	3.0kV	-40°C~+85°C		PAGE.49 /FIG.20
	NACL5T6-P6/VN	4V	± 15	$\pm 0.5\%$	0.1%	$\pm 30\text{mV}$	C/L	$\pm 15 \times (1 \pm 5\%) \text{V}$	1us	5.0kV	-40°C~+85°C		PAGE.49 /FIG.21
	NACL5T8-P6/VN	2V	± 5.5	$\pm 0.5\%$	0.1%	$2.5\text{V} \pm 0.01\text{V}$	C/L	$+5 \times (1 \pm 5\%) \text{V}$	500ns	3.0kV	-40°C~+85°C		PAGE.50 /FIG.23
6	NACL6T2-S6/VN	2V	± 6.6	$\pm 0.5\%$	0.1%	$2.5\text{V} \pm 0.01\text{V}$	C/L	$+5 \times (1 \pm 5\%) \text{V}$	1us	2.5kV	-40°C~+105°C		PAGE.48 /FIG.18
	NACL6T7-P6/VN	0.8V	± 15	$\pm 1.0\%$	0.1%	$2.5\text{V} \pm 0.0125\text{V}$	C/L	$+5 \times (1 \pm 5\%) \text{V}$	1us	3.0kV	-40°C~+105°C		PAGE.50 /FIG.22
7.5	NACL7.5T6-P6/VN	4V	± 22.5	$\pm 0.5\%$	0.1%	$\pm 30\text{mV}$	C/L	$\pm 15 \times (1 \pm 5\%) \text{V}$	1us	5.0kV	-40°C~+85°C		PAGE.49 /FIG.21
10	NACG.10-S1/V	10V	± 10.5	$\pm 1.0\%$	0.5%	$\pm 50\text{mV}$	Flux gate	$\pm 15 \times (1 \pm 5\%) \text{V}$	120ms	5.0kV	-25°C~+70°C		PAGE.51 /FIG.25
	NACL10T3-P6/VN	4V	± 30	$\pm 0.5\%$	0.1%	$\pm 30\text{mV}$	C/L	$\pm 15 \times (1 \pm 5\%) \text{V}$	1us	3.0kV	-40°C~+85°C		PAGE.49 /FIG.19

10A-20A
电流传感器型号规格及技术参数

Type & Specification of 10A-20A Series Current Transducers

额定电流 (A) Primary Nominal Current(A)	型号 Type	额定测量 输出 Secondary Nominal output	测量范围 (A) Measuring Range(A)	基本误差 (\leq) Accuracy (\leq)	线性度误差 (\leq) Linearity (\leq)	零点输出误差 (+25°C) Offsetofzero (+25°C)	技术原理 Technonlgy Principle	电源电压 Supply Voltage	响应时间 (\leq) Response Time(\leq)	耐压 Isolation Voltage	工作温度 Operating Temperature	外型图 Drawing	备注编号 Note No.
10	NACL10T1-P6/VN	4V	± 30	$\pm 0.5\%$	0.1%	$\pm 30\text{mV}$	C/L	$\pm 15 \times (1 \pm 5\%) \text{V}$	1us	3.0kV	-40°C~+85°C		PAGE.48 /FIG.17
	NACL10T5-P6/VN	4V	± 30	$\pm 0.5\%$	0.1%	$\pm 30\text{mV}$	C/L	$\pm 15 \times (1 \pm 5\%) \text{V}$	1us	3.0kV	-40°C~+85°C		PAGE.49 /FIG.20
	NACL10T6-P6/VN	4V	± 30	$\pm 0.5\%$	0.1%	$\pm 30\text{mV}$	C/L	$\pm 15 \times (1 \pm 5\%) \text{V}$	1us	5.0kV	-40°C~+85°C		PAGE.49 /FIG.21
	NACL10T8-P6/VN	2V	± 11	$\pm 0.5\%$	0.1%	$2.5\text{V} \pm 0.01\text{V}$	C/L	$+5 \times (1 \pm 5\%) \text{V}$	500ns	3.0kV	-40°C~+85°C		PAGE.50 /FIG.23
	NACL10T7-P6/VN	0.8V	± 25	$\pm 1.0\%$	0.1%	$2.5\text{V} \pm 0.0125\text{V}$	C/L	$+5 \times (1 \pm 5\%) \text{V}$	1us	3.0kV	-40°C~+105°C		PAGE.50 /FIG.22
15	NACL15T3-P6/VN	4V	± 45	$\pm 0.5\%$	0.1%	$\pm 30\text{mV}$	C/L	$\pm 15 \times (1 \pm 5\%) \text{V}$	1us	3.0kV	-40°C~+85°C		PAGE.49 /FIG.19
	NACL15T1-P6/VN	4V	± 45	$\pm 0.5\%$	0.1%	$\pm 30\text{mV}$	C/L	$\pm 15 \times (1 \pm 5\%) \text{V}$	1us	3.0kV	-40°C~+85°C		PAGE.48 /FIG.17
	NACL15T5-P6/VN	4V	± 45	$\pm 0.5\%$	0.1%	$\pm 30\text{mV}$	C/L	$\pm 15 \times (1 \pm 5\%) \text{V}$	1us	3.0kV	-40°C~+85°C		PAGE.49 /FIG.20
	NACL15T6-P6/VN	4V	± 45	$\pm 0.5\%$	0.1%	$\pm 30\text{mV}$	C/L	$\pm 15 \times (1 \pm 5\%) \text{V}$	1us	5.0kV	-40°C~+85°C		PAGE.49 /FIG.21
	NACL15T2-S6/VN	2V	± 16.5	$\pm 0.5\%$	0.1%	$2.5\text{V} \pm 0.01\text{V}$	C/L	$+5 \times (1 \pm 5\%) \text{V}$	1us	2.5kV	-40°C~+105°C		PAGE.48 /FIG.18
	NACL15T8-P6/VN	2V	± 16.5	$\pm 0.5\%$	0.1%	$2.5\text{V} \pm 0.01\text{V}$	C/L	$+5 \times (1 \pm 5\%) \text{V}$	500ns	3.0kV	-40°C~+85°C		PAGE.50 /FIG.23
	NACL15T7-P6/VN	0.8V	± 37.5	$\pm 1.0\%$	0.1%	$2.5\text{V} \pm 0.0125\text{V}$	C/L	$+5 \times (1 \pm 5\%) \text{V}$	1us	3.0kV	-40°C~+105°C		PAGE.50 /FIG.22
20	NACL20T1-P6/VN	4V	± 60	$\pm 0.5\%$	0.1%	$\pm 30\text{mV}$	C/L	$\pm 15 \times (1 \pm 5\%) \text{V}$	1us	3.0kV	-40°C~+85°C		PAGE.48 /FIG.17
	NACL20T5-P6/VN	4V	± 60	$\pm 0.5\%$	0.1%	$\pm 30\text{mV}$	C/L	$\pm 15 \times (1 \pm 5\%) \text{V}$	1us	3.0kV	-40°C~+85°C		PAGE.49 /FIG.20
	NACL20T6-P6/VN	4V	± 60	$\pm 0.5\%$	0.1%	$\pm 30\text{mV}$	C/L	$\pm 15 \times (1 \pm 5\%) \text{V}$	1us	5.0kV	-40°C~+85°C		PAGE.49 /FIG.21
	NACL20T2-S6/VN	2V	± 22	$\pm 0.5\%$	0.1%	$2.5\text{V} \pm 0.01\text{V}$	C/L	$+5 \times (1 \pm 5\%) \text{V}$	1us	2.5kV	-40°C~+105°C		PAGE.48 /FIG.18

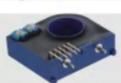
20A-40A
电流传感器型号规格及技术参数

Type & Specification of 20A-40A Series Current Transducers

额定电流 (A) Primary Nominal Current(A)	型号 Type	额定测量 输出 Secondary Nominal output	测量范围 (A) Measuring Range(A)	基本误差 (\leq) Accuracy (\leq)	线性度误差 (\leq) Linearity (\leq)	零点输出误差 (+25°C) Offsetofzero (+25°C)	技术原理 Technonlgy Principle	电源电压 Supply Voltage	响应时间 (\leq) Response Time(\leq)	耐压 Isolation Voltage	工作温度 Operating Temperature	外型图 Drawing	备注编号 Note No.
20	NACL.20T7-P6/VN	0.8V	± 50	$\pm 1.0\%$	0.1%	2.5V ± 0.0125 V	C/L	+5 $\times(1\pm 5\%)$ V	1 μ s	3.0kV	-40°C~+105°C		PAGE.50 /FIG.22
25	NACL.25T3-P6/VN	4V	± 75	$\pm 0.5\%$	0.1%	± 30 mV	C/L	$\pm 15\times(1\pm 5\%)$ V	1 μ s	3.0kV	-40°C~+85°C		PAGE.49 /FIG.19
	NACL.25T1-P6/VN	4V	± 75	$\pm 0.5\%$	0.1%	± 30 mV	C/L	$\pm 15\times(1\pm 5\%)$ V	1 μ s	3.0kV	-40°C~+85°C		PAGE.48 /FIG.17
	NACL.25T5-P6/VN	4V	± 75	$\pm 0.5\%$	0.1%	± 30 mV	C/L	$\pm 15\times(1\pm 5\%)$ V	1 μ s	3.0kV	-40°C~+85°C		PAGE.49 /FIG.20
	NACL.25T6-P6/VN	4V	± 75	$\pm 0.5\%$	0.1%	± 30 mV	C/L	$\pm 15\times(1\pm 5\%)$ V	1 μ s	5.0kV	-40°C~+85°C		PAGE.49 /FIG.21
	NACL.25T8-P6/VN	2V	± 27.5	$\pm 0.5\%$	0.1%	2.5V ± 0.01 V	C/L	+5 $\times(1\pm 5\%)$ V	500ns	3.0kV	-40°C~+85°C		PAGE.50 /FIG.23
	NACL.25T2-S6/VN	2V	± 27.5	$\pm 0.5\%$	0.1%	2.5V ± 0.01 V	C/L	+5 $\times(1\pm 5\%)$ V	1 μ s	2.5kV	-40°C~+105°C		PAGE.48 /FIG.18
	NACL.25T7-P6/VN	0.8V	± 62.5	$\pm 1.0\%$	0.1%	2.5V ± 0.0125 V	C/L	+5 $\times(1\pm 5\%)$ V	1 μ s	3.0kV	-40°C~+105°C		PAGE.50 /FIG.22
30	NACL.30T3-P6/VN	4V	± 90	$\pm 0.5\%$	0.1%	± 30 mV	C/L	$\pm 15\times(1\pm 5\%)$ V	1 μ s	3.0kV	-40°C~+85°C		PAGE.49 /FIG.19
	NACL.30T7-P6/VN	0.8V	± 75	$\pm 1.0\%$	0.1%	2.5V ± 0.0125 V	C/L	+5 $\times(1\pm 5\%)$ V	1 μ s	3.0kV	-40°C~+105°C		PAGE.50 /FIG.22
	NACL.30T8-P6/VN	2V	± 33	$\pm 0.5\%$	0.1%	2.5V ± 0.01 V	C/L	+5 $\times(1\pm 5\%)$ V	500ns	3.0kV	-40°C~+85°C		PAGE.50 /FIG.23
40	NACL.30T1-P6/VN	4V	± 90	$\pm 0.5\%$	0.1%	± 30 mV	C/L	$\pm 15\times(1\pm 5\%)$ V	1 μ s	3.0kV	-40°C~+85°C		PAGE.48 /FIG.17
	NACL.30T5-P6/VN	4V	± 90	$\pm 0.5\%$	0.1%	± 30 mV	C/L	$\pm 15\times(1\pm 5\%)$ V	1 μ s	3.0kV	-40°C~+85°C		PAGE.49 /FIG.20
	NACL.30T6-P6/VN	4V	± 90	$\pm 0.5\%$	0.1%	± 30 mV	C/L	$\pm 15\times(1\pm 5\%)$ V	1 μ s	5.0kV	-40°C~+85°C		PAGE.49 /FIG.21
	NACL.40T5-P6/VN	4V	± 120	$\pm 0.5\%$	0.1%	± 30 mV	C/L	$\pm 15\times(1\pm 5\%)$ V	1 μ s	3.0kV	-40°C~+85°C		PAGE.49 /FIG.20
	NACL.40T7-P6/VN	0.8V	± 100	$\pm 1.0\%$	0.1%	2.5V ± 0.0125 V	C/L	+5 $\times(1\pm 5\%)$ V	1 μ s	3.0kV	-40°C~+105°C		PAGE.50 /FIG.22

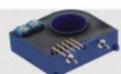
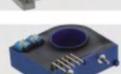
50A-75A
电流传感器型号规格及技术参数

Type & Specification of 50A-75A Series Current Transducers

额定电流 (A) Primary Nominal Current(A)	型号 Type	额定测量 输出 Secondary Nominal output	测量范围 (A) Measuring Range(A)	基本误差 (\leq) Accuracy (\leq)	线性度误差 (\leq) Linearity (\leq)	零点输出误差 (+25°C) Offsetofzero (+25°C)	技术原理 Technonlgy Principle	电源电压 Supply Voltage	响应时间 (\leq) Response Time(\leq)	耐压 Isolation Voltage	工作温度 Operating Temperature	外型图 Drawing	备注编号 Note No.
50	NACL.50T2-S6/VN	2V	± 55	$\pm 0.5\%$	0.1%	2.5V ± 0.01 V	C/L	+5 $\times(1\pm 5\%)$ V	1us	2.5kV	-40°C~+105°C		PAGE.48 /FIG.18
	NACL.50T3-P6/VN	4V	± 150	$\pm 0.5\%$	0.1%	± 30 mV	C/L	$\pm 15\mathbf{\times}(1\pm 5\%)$ V	1us	3.0kV	-40°C~+85°C		PAGE.49 /FIG.19
	NACL.50T1-P6/VN	4V	± 150	$\pm 0.5\%$	0.1%	± 30 mV	C/L	$\pm 15\mathbf{\times}(1\pm 5\%)$ V	1us	3.0kV	-40°C~+85°C		PAGE.48 /FIG.17
	NACL.50T5-P6/VN	4V	± 150	$\pm 0.5\%$	0.1%	± 30 mV	C/L	$\pm 15\mathbf{\times}(1\pm 5\%)$ V	1us	3.0kV	-40°C~+85°C		PAGE.49 /FIG.20
	NACL.50T6-P6/VN	4V	± 150	$\pm 0.5\%$	0.1%	± 30 mV	C/L	$\pm 15\mathbf{\times}(1\pm 5\%)$ V	1us	5.0kV	-40°C~+85°C		PAGE.49 /FIG.21
	NACL.50T7-P6/VN	0.8V	± 125	$\pm 1.0\%$	0.1%	2.5V ± 0.0125 V	C/L	+5 $\times(1\pm 5\%)$ V	1us	3.0kV	-40°C~+105°C		PAGE.50 /FIG.22
	NACF.50T-S5/VN	4V	± 150	$\pm 1.5\%$	1.0%	± 30 mV	O/L	$\pm 15\mathbf{\times}(1\pm 5\%)$ V	5us	2.5kV	-40°C~+85°C		PAGE.53 /FIG.33
	NACF.50T2-S6/VN	4V	± 150	$\pm 1.0\%$	1.0%	± 30 mV	O/L	$\pm 15\mathbf{\times}(1\pm 5\%)$ V	3us	2.5kV	-40°C~+85°C		PAGE.54 /FIG.34
	NACF.50C-S5/V	4V	± 150	$\pm 1.0\%$	1.0%	± 40 mV	O/L	$\pm 15\mathbf{\times}(1\pm 5\%)$ V	3us	3kV	-40°C~+85°C		PAGE.51 /FIG.26
	NACF.50C-S5/SP6V	4V	± 150	$\pm 1.0\%$	1.0%	± 40 mV	O/L	$\pm 15\mathbf{\times}(1\pm 5\%)$ V	3us	3kV	-40°C~+85°C		PAGE.51 /FIG.27
	NACL.50P-S6	50mA	± 70	$\pm 0.7\%$	0.2%	± 0.2 mA	C/L	$\pm (12\sim 15)(1\pm 5\%)$	1us	2.5kV	-25°C~+85°C		PAGE.46 /FIG.12
	NACL.50P-S6/SP1	25mA	± 100	$\pm 0.65\%$	0.2%	± 0.1 mA	C/L	$\pm (12\sim 15)(1\pm 5\%)$	1us	2.5kV	-25°C~+85°C		PAGE.46 /FIG.12
NACL.50R-S5	50mA	± 70	$\pm 0.8\%$	0.1%	± 0.2 mA	C/L	$\pm (12\sim 15)(1\pm 5\%)$	1us	6kV	-40°C~+85°C		PAGE.47 /FIG.15	
60	NACL.60T3-P6/VN	4V	± 180	$\pm 0.5\%$	0.1%	± 30 mV	C/L	$\pm 15\mathbf{\times}(1\pm 5\%)$ V	1us	3.0kV	-40°C~+85°C		PAGE.49 /FIG.19
	NACL.60T1-P6/VN	4V	± 150	$\pm 0.5\%$	0.1%	± 30 mV	C/L	$\pm 15\mathbf{\times}(1\pm 5\%)$ V	1us	3.0kV	-40°C~+85°C		PAGE.48 /FIG.17
75	NACL.75T3-P6/VN	4V	± 180	$\pm 0.5\%$	0.1%	± 30 mV	C/L	$\pm 15\mathbf{\times}(1\pm 5\%)$ V	1us	3.0kV	-40°C~+85°C		PAGE.49 /FIG.19

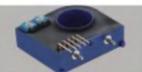
80A-200A
电流传感器型号规格及技术参数

Type & Specification of 80A-200A Series Current Transducers

额定电流 (A) Primary Nominal Current(A)	型号 Type	额定测量 输出 Secondary Nominal output	测量范围 (A) Measuring Range(A)	基本误差 (\leq) Accuracy (\leq)	线性度误差 (\leq) Linearity (\leq)	零点输出误差 (+25°C) Offsetofzero (+25°C)	技术原理 Technonlgy Principle	电源电压 Supply Voltage	响应时间 (\leq) Response Time(\leq)	耐压 Isolation Voltage	工作温度 Operating Temperature	外型图 Drawing	备注编号 Note No.
80	NACL.80T2-S6/VN	2V	± 88	$\pm 0.5\%$	0.1%	2.5V ± 0.01 V	C/L	+5 $\times(1\pm 5\%)$ V	1us	2.5kV	-40°C~+105°C		PAGE.48 /FIG.18
100	NACF.100D-S5/SP1V	4V	± 300	$\pm 1.0\%$	1.0%	± 30 mV	O/L	$\pm 15 \times (1 \pm 5\%)$ V	5us	4kV	-40°C~+85°C		PAGE.45 /FIG.7
	NACF.100C-S5/V	4V	± 300	$\pm 1.0\%$	1.0%	± 40 mV	O/L	$\pm 15 \times (1 \pm 5\%)$ V	3us	3kV	-40°C~+85°C		PAGE.51 /FIG.26
	NACF.100C-S5/SP6V	4V	± 300	$\pm 1.0\%$	1.0%	± 40 mV	O/L	$\pm 15 \times (1 \pm 5\%)$ V	3us	3kV	-40°C~+85°C		PAGE.51 /FIG.27
	NACF.100T-S5/VN	4V	± 300	$\pm 1.5\%$	1.0%	± 30 mV	O/L	$\pm 15 \times (1 \pm 5\%)$ V	5us	2.5kV	-40°C~+85°C		PAGE.53 /FIG.33
	NACF.100T2-S6/VN	4V	± 200	$\pm 1.0\%$	1.0%	± 30 mV	O/L	$\pm 15 \times (1 \pm 5\%)$ V	3us	2.5kV	-40°C~+85°C		PAGE.54 /FIG.34
	NACL.100T1-P6/VN	4V	± 150	$\pm 0.5\%$	0.1%	± 30 mV	C/L	$\pm 15 \times (1 \pm 5\%)$ V	1us	3.0kV	-40°C~+85°C		PAGE.48 /FIG.17
	NACL.100P-S6	50mA	± 150	$\pm 0.7\%$	0.2%	± 0.1 mA	C/L	$\pm (12 \sim 15)(1 \pm 5\%)$	1us	2.5kV	-40°C~+85°C		PAGE.46 /FIG.12
	NACL.100P-P6	50mA	± 150	$\pm 0.7\%$	0.2%	± 0.1 mA	C/L	$\pm (12 \sim 15)(1 \pm 5\%)$	1us	2.5kV	-40°C~+85°C		PAGE.47 /FIG.14
	NACL.100R-S5	50mA	± 150	$\pm 0.6\%$	0.1%	± 0.2 mA	C/L	$\pm (12 \sim 15)(1 \pm 5\%)$	1us	6kV	-25°C~+85°C		PAGE.47 /FIG.15
	125	NACL.125P-S6/SP3	125mA	± 200	$\pm 0.5\%$	0.1%	± 0.2 mA	C/L	$\pm (12 \sim 15)(1 \pm 5\%)$	500ns	3kV	-40°C~+85°C	
NACL.125P1-S6		125mA	± 200	$\pm 0.8\%$	0.15%	± 0.4 mA	C/L	$\pm (12 \sim 15)(1 \pm 5\%)$	1us	3kV	-25°C~+85°C		PAGE.47 /FIG.13
150	NACF.150T-S5/VN	4V	± 450	$\pm 1.5\%$	1.0%	± 30 mV	O/L	$\pm 15 \times (1 \pm 5\%)$ V	5us	2.5kV	-40°C~+85°C		PAGE.53 /FIG.33
	NACF.150T2-S6/VN	4A	± 300	$\pm 1.0\%$	1.0%	± 30 mV	O/L	$\pm 15 \times (1 \pm 5\%)$ V	3us	2.5kV	-40°C~+85°C		PAGE.54 /FIG.34
	NA150-P	75mA	± 200	$\pm 1.0\%$	0.25%	± 0.2 mA	C/L	$\pm 15 \times (1 \pm 5\%)$ V	1us	2.5kV	-25°C~+70°C		PAGE.46 /FIG.12
200	NACF.200C-S5/V	4V	± 600	$\pm 1.0\%$	1.0%	± 40 mV	O/L	$\pm 15 \times (1 \pm 5\%)$ V	3us	3kV	-40°C~+85°C		PAGE.51 /FIG.26

200A-300A
电流传感器型号规格及技术参数

Type & Specification of 200A-300A Series Current Transducers

额定电流 (A) Primary Nominal Current(A)	型号 Type	额定测量 输出 Secondary Nominal output	测量范围 (A) Measuring Range(A)	基本误差 (≤) Accuracy (≤)	线性度误差 (≤) Linearity (≤)	零点输出误差 (+25°C) Offsetofzero (+25°C)	技术原理 Technonlgy Principle	电源电压 Supply Voltage	响应时间 (≤) Response Time(≤)	耐压 Isolation Voltage	工作温度 Operating Temperature	外型图 Drawing	备注编号 Note No.
200	NACF.200C-S5/SP6V	4V	±600	±1.0%	1.0%	±40mV	O/L	±15×(1±5%)V	3us	3kV	-40°C~+85°C		PAGE.51 /FIG.27
	NACF.200H1-S5/VI	4V	±400	±1.0%	1.0%	±30mV	O/L	±15×(1±5%)V	7us	6kV	-40°C~+85°C		PAGE.52 /FIG.28
	NACF.200D-S5/SP1V	4V	±600	±1.0%	1.0%	±30mV	O/L	±15×(1±5%)V	5us	4kV	-40°C~+85°C		PAGE.45 /FIG.7
	NACF.200T-S5/VN	4V	±600	±1.5%	1.0%	±30mV	O/L	±15×(1±5%)V	5us	2.5kV	-40°C~+85°C		PAGE.53 /FIG.33
	NACF.200T2-S6/VN	4V	±400	±1.0%	1.0%	±30mV	O/L	±15×(1±5%)V	3us	2.5kV	-40°C~+85°C		PAGE.54 /FIG.34
	NACA200L-S6/SP1VA	Vc/5×(25+G×I)	±200	±2.0%	1.0%	VC/2±15mV	O/L	+5×(1±5%)V	10us	1.5kV	-40°C~+125°C		PAGE.53 /FIG.31
	NACF.200M-S5/VM	Vc/5×(25+G×I)	±200	±1.0%	1.0%	VC/2±15mV	O/L	+5×(1±5%)V	10us	2kV	-40°C~+125°C		PAGE.53 /FIG.32
	NACL200B4-S5/SP1	100mA	±420	±0.5%	0.1%	±0.2mA	C/L	±(12~15)(1±5%)	1us	3.5kV	-40°C~+85°C		PAGE.45 /FIG.9
	NACL.200R-S5	100mA	±300	±0.5%	0.1%	±0.2mA	C/L	±(12~15)(1±5%)	1us	6kV	-25°C~+85°C		PAGE.47 /FIG.15
300	NACF.300C-S5/V	4V	±900	±1.0%	1.0%	±30mV	O/L	±15×(1±5%)V	3us	4kV	-40°C~+85°C		PAGE.51 /FIG.26
	NACF.300C-S5/SP6V	4V	±900	±1.0%	1.0%	±30mV	O/L	±15×(1±5%)V	3us	4kV	-40°C~+85°C		PAGE.51 /FIG.27
	NACF.300C-S4/SP3V	4V	±900	±1.0%	1.0%	±40mv	O/L	±15×(1±5%)V	3us	3kV	-40°C~+105°C		PAGE.57 /FIG.44
	NACF.300-S1/SP1V	4V	±900	±1.0%	1.0%	±30mV	O/L	±15×(1±5%)V	100us	2.5kV	-40°C~+85°C		PAGE.54 /FIG.35
	NACF.300D-S5/SP1V	4V	±900	±1.0%	1.0%	±30mV	O/L	±15×(1±5%)V	5us	4kV	-40°C~+85°C		PAGE.45 /FIG.7
	NACA300L-S6/SP1VA	Vc/5×(25+G×I)	±300	±2.0%	1.0%	VC/2±15mV	O/L	+5×(1±5%)V	10us	1.5kV	-40°C~+125°C		PAGE.53 /FIG.31
	NACF.300M-S5/VM	Vc/5×(25+G×I)	±300	±1.0%	1.0%	VC/2±15mV	O/L	+5×(1±5%)V	10us	2kV	-40°C~+125°C		PAGE.53 /FIG.32

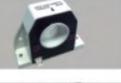
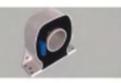
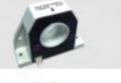
300A-500A
电流传感器型号规格及技术参数

Type & Specification of 300A-500A Series Current Transducers

额定电流 (A) Primary Nominal Current(A)	型号 Type	额定测量 输出 Secondary Nominal output	测量范围 (A) Measuring Range(A)	基本误差 (≤) Accuracy (≤)	线性度误差 (≤) Linearity (≤)	零点输出误差 (+25°C) Offsetofzero (+25°C)	技术原理 Technonlgy Principle	电源电压 Supply Voltage	响应时间 (≤) Response Time(≤)	耐压 Isolation Voltage	工作温度 Operating Temperature	外型图 Drawing	备注编号 Note No.
300	NACL300C-S5/SP1	150mA	±700	±0.7%	0.1%	±0.3mA	C/L	±(12~15)(1±5%)	1us	5.5kV	-40°C~+85°C		PAGE.46 /FIG.10
	NACL300B3-S5/SP1	150mA	±500	±0.5%	0.1%	±0.2mA	C/L	±15×(1±5%)V	1us	3kV	-40°C~+85°C		PAGE.45 /FIG.8
	NT308-S/SP5	150mA	±500	±0.5%	0.1%	±0.2mA	C/L	±(12~15)(1±5%)	1us	6kV	-25°C~+85°C		PAGE.55 /FIG.37
	NACL300H2-S2	150mA	±500	±1.0%	0.1%	±0.25mA	C/L	±(12~15)(±10%)	1us	6kV	-25°C~+70°C		PAGE.55 /FIG.38
366	NACL366U-S5	183mA	±500	±0.5%	0.1%	±0.3mA	C/L	±15×(1±10%)V	1us	3kV	-40°C~+85°C		PAGE.50 /FIG.24
400	NACF400H1-S5/VI	4V	±800	±1.0%	1.0%	±30mV	O/L	±15×(1±5%)V	7us	6kV	-40°C~+85°C		PAGE.52 /FIG.28
	NACF400C-S5/V	4V	±900	±1.0%	1.0%	±40mV	O/L	±15×(1±5%)V	3us	3kV	-40°C~+85°C		PAGE.51 /FIG.26
	NACF400-S1/SP1V	4V	±1200	±1.0%	1.0%	±30mV	O/L	±15×(1±5%)V	100us	2.5kV	-40°C~+85°C		PAGE.54 /FIG.35
	NACF400C-S5/SP6V	4V	±900	±1.0%	1.0%	±40mV	O/L	±15×(1±5%)V	3us	3kV	-40°C~+85°C		PAGE.51 /FIG.27
	NACF400D-S5/SP1V	4V	±1000	±1.0%	1.0%	±30mV	O/L	±15×(1±5%)V	5us	4kV	-40°C~+85°C		PAGE.45 /FIG.7
	NACA400L-S6/SP1VA	Vc/5×(25+G×I)	±400	±2.0%	1.0%	VC/2±15mV	O/L	5×(1±5%)V	10us	1.5kV	-40°C~+125°C		PAGE.53 /FIG.31
	NACF400M-S5/VM	Vc/5×(25+G×I)	±400	±1.0%	1.0%	VC/2±15mV	O/L	5×(1±5%)V	10us	2kV	-40°C~+125°C		PAGE.53 /FIG.32
	NACL400C-S5/SP3	80mA	±600	±1.1%	0.1%	±0.15mA	C/L	±15×(1±5%)V	1us	5.5kV	-40°C~+85°C		PAGE.46 /FIG.11
500	NACF500J-S5/V	4V	±1500	±1.0%	1.0%	±20mV	O/L	±15×(1±5%)V	5us	5kV	-40°C~+85°C		PAGE.52 /FIG.29
	NACF500C-S5/SP6V	4V	±900	±1.0%	1.0%	±40mV	O/L	±15×(1±5%)V	3us	3kV	-40°C~+85°C		PAGE.51 /FIG.27
	NACF500C-S5/V	4V	±900	±1.0%	1.0%	±40mV	O/L	±15×(1±5%)V	3us	3kV	-40°C~+85°C		PAGE.51 /FIG.26

500A-700A
电流传感器型号规格及技术参数

Type & Specification of 500A-700A Series Current Transducers

额定电流 (A) Primary Nominal Current(A)	型号 Type	额定测量 输出 Secondary Nominal output	测量范围 (A) Measuring Range(A)	基本误差 (\leq) Accuracy (\leq)	线性度误差 (\leq) Linearity (\leq)	零点输出误差 (+25°C) Offsetofzero (+25°C)	技术原理 Technonlgy Principle	电源电压 Supply Voltage	响应时间 (\leq) Response Time(\leq)	耐压 Isolation Voltage	工作温度 Operating Temperature	外型图 Drawing	备注编号 Note No.
500	NACF.500D-S5/SP1V	4V	± 1000	$\pm 1.0\%$	1.0%	$\pm 30\text{mV}$	O/L	$\pm 15 \times (1 \pm 5\%) \text{V}$	5us	4kV	-40°C~+85°C		PAGE.57 /FIG.45
	NCA1P-500A	4V	± 1000	$\pm 2.0\%$	1.0%	$\pm 40\text{mV}$	O/L	$\pm (12 \sim 15)(1 \pm 5\%)$	10us	3kV	-40°C~+85°C		PAGE.56 /FIG.40
	NACA500L-S6/SP1VA	$V_c/5 \times (2.5 + G \times I)$	± 500	$\pm 2.0\%$	1.0%	$VC/2 \pm 15\text{mV}$	O/L	$5 \times (1 \pm 5\%) \text{V}$	10us	1.5kV	-40°C~+125°C		PAGE.53 /FIG.31
	NACF.500M-S5/VM	$V_c/5 \times (2.5 + G \times I)$	± 500	$\pm 1.0\%$	1.0%	$VC/2 \pm 15\text{mV}$	O/L	$5 \times (1 \pm 5\%) \text{V}$	10us	2kV	-40°C~+125°C		PAGE.53 /FIG.32
	NT508-S/N	100mA	± 800	$\pm 0.4\%$	0.1%	$\pm 0.2\text{mA}$	C/L	$\pm (15 \sim 18)(1 \pm 5\%)$	1us	6kV	-25°C~+85°C		PAGE.47 /FIG.15
	NACL500R1-S5/SP2	100mA	± 800	$\pm 0.4\%$	0.1%	$\pm 0.13\text{mA}$	C/L	$\pm (15 \sim 18)(1 \pm 5\%)$	1us	6kV	-40°C~+70°C		PAGE.46 /FIG.10
	NACL500B2-S5/SP2	100mA	± 1300	$\pm 0.6\%$	0.1%	$\pm 0.4\text{mA}$	C/L	$\pm (15 \sim 24)(1 \pm 5\%)$	1us	6kV	-40°C~+85°C		PAGE.45 /FIG.7
600	NACF.600H1-S5/VI	4V	± 1200	$\pm 1.0\%$	1.0%	$\pm 30\text{mV}$	O/L	$\pm 15 \times (1 \pm 5\%) \text{V}$	7us	6kV	-40°C~+85°C		PAGE.52 /FIG.28
	NACF.600J-S5/V	4V	± 1800	$\pm 1.0\%$	1.0%	$\pm 20\text{mV}$	O/L	$\pm 15 \times (1 \pm 5\%) \text{V}$	5us	5kV	-40°C~+85°C		PAGE.52 /FIG.29
	NACF.600C-S5/V	4V	± 900	$\pm 1.0\%$	1.0%	$\pm 40\text{mV}$	O/L	$\pm 15 \times (1 \pm 5\%) \text{V}$	3us	3kV	-40°C~+85°C		PAGE.51 /FIG.26
	NACF.600C-S5/SP6V	4V	± 900	$\pm 1.0\%$	1.0%	$\pm 40\text{mV}$	O/L	$\pm 15 \times (1 \pm 5\%) \text{V}$	3us	3kV	-40°C~+85°C		PAGE.51 /FIG.27
	NACF.600D-S5/SP1V	4V	± 1200	$\pm 1.0\%$	1.0%	$\pm 30\text{mV}$	O/L	$\pm 15 \times (1 \pm 5\%) \text{V}$	5us	4kV	-40°C~+85°C		PAGE.57 /FIG.45
	NACA600L-S6/SP1VA	$V_c/5 \times (2.5 + G \times I)$	± 600	$\pm 2.0\%$	1.0%	$VC/2 \pm 15\text{mV}$	O/L	$5 \times (1 \pm 5\%) \text{V}$	10us	1.5kV	-40°C~+125°C		PAGE.53 /FIG.31
	NACF.600M-S5/VM	$V_c/5 \times (2.5 + G \times I)$	± 600	$\pm 2.0\%$	1.0%	$VC/2 \pm 15\text{mV}$	O/L	$5 \times (1 \pm 5\%) \text{V}$	10us	2kV	-40°C~+125°C		PAGE.53 /FIG.32
700	NACA700L-S6/SP1VA	$V_c/5 \times (2.5 + G \times I)$	± 700	$\pm 2.0\%$	1.0%	$VC/2 \pm 15\text{mV}$	O/L	$5 \times (1 \pm 5\%) \text{V}$	10us	1.5kV	-40°C~+125°C		PAGE.53 /FIG.31
	NACF.700M-S5/VM	$V_c/5 \times (2.5 + G \times I)$	± 700	$\pm 2.0\%$	1.0%	$VC/2 \pm 15\text{mV}$	O/L	$5 \times (1 \pm 5\%) \text{V}$	10us	2kV	-40°C~+125°C		PAGE.53 /FIG.32

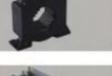
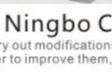
800A-1000A
电流传感器型号规格及技术参数

Type & Specification of 800A-1000A Series Current Transducers

额定电流 (A) Primary Nominal Current(A)	型号 Type	额定测量 输出 Secondary Nominal output	测量范围 (A) Measuring Range(A)	基本误差 (≤) Accuracy (≤)	线性度误差 (≤) Linearity (≤)	零点输出误差 (+25°C) Offsetofzero (+25°C)	技术原理 Technonlgy Principle	电源电压 Supply Voltage	响应时间 (≤) Response Time(≤)	耐压 Isolation Voltage	工作温度 Operating Temperature	外型图 Drawing	备注编号 Note No.
800	NACF.800J1-S5/V	4V	±2400	±1.0%	1.0%	±20mV	O/L	±15×(1±5%)V	5us	5kV	-40°C~+85°C		PAGE.52 /FIG.30
	NACF800H1-S5/VI	4V	±1600	±1.0%	1.0%	±30mV	O/L	±15×(1±5%)V	7us	6kV	-40°C~+85°C		PAGE.52 /FIG.28
	NCA1P-800A	4V	±1600	±2.0%	1.0%	±40mV	O/L	±(12~15)(1±5%)	10us	3kV	-40°C~+85°C		PAGE.56 /FIG.40
	NACA800L-S6/SP1VA	Vc/5×(25+G×I)	±800	±2.0%	1.0%	VC/2±15mV	O/L	5×(1±5%)V	10us	1.5kV	-40°C~+125°C		PAGE.53 /FIG.31
	NACF.800M-S5/VM	Vc/5×(25+G×I)	±800	±2.0%	1.0%	VC/2±15mV	O/L	5×(1±5%)V	10us	2kV	-40°C~+125°C		PAGE.53 /FIG.32
850	NACF.850J-S5/V	4V	±2250	±1.0%	1.0%	±20mV	O/L	±15×(1±5%)V	5us	5kV	-40°C~+85°C		PAGE.52 /FIG.29
900	NACA900L-S6/SP1VA	Vc/5×(25+G×I)	±900	±2.0%	2.0%	VC/2±15mV	O/L	5×(1±5%)V	10us	1.5kV	-40°C~+125°C		PAGE.53 /FIG.31
	NACF.900M-S5/VM	Vc/5×(25+G×I)	±900	±2.0%	1.0%	VC/2±15mV	O/L	5×(1±5%)V	10us	2kV	-40°C~+125°C		PAGE.53 /FIG.32
1000	NACF1000D-S5/SP1V	4V	±1200	±1.0%	1.0%	±30mV	O/L	±15×(1±5%)V	5us	4kV	-40°C~+85°C		PAGE.57 /FIG.45
	NACF.1000H1-S5/VI	4V	±2000	±1.0%	1.0%	±30mV	O/L	±15×(1±5%)V	7us	6kV	-40°C~+85°C		PAGE.52 /FIG.28
	NACF.1000J-S5/V	4V	±3000	±1.0%	1.0%	±20mV	O/L	±15×(1±5%)V	5us	5kV	-40°C~+85°C		PAGE.52 /FIG.29
	NACF.1000J1-S5/V	4V	±2500	±1.0%	1.0%	±20mV	O/L	±15×(1±5%)V	5us	5kV	-40°C~+85°C		PAGE.52 /FIG.30
	NCA1P-1000A	4V	±2000	±2.0%	1.0%	±40mV	O/L	±(12~15)(1±5%)	10us	3kV	-40°C~+85°C		PAGE.56 /FIG.40
	NCA1Q-1000A	4V	±2000	±2.0%	1.0%	±40mV	O/L	±(12~15)(1±5%)	10us	6kV	-40°C~+85°C		PAGE.55 /FIG.39
	NACL.1000B-S4	200mA	±2000	±0.4%	0.1%	±0.4mA	C/L	±24(1±5%)	1us	3.8kV	-40°C~+85°C		PAGE.48 /FIG.16
	NACL.1000B-S5	200mA	±2100	±0.4%	0.1%	±0.4mA	C/L	±(15~24)(1±5%)	1us	3.8kV	-40°C~+85°C		PAGE.43 /FIG.3

1000A-1500A
电流传感器型号规格及技术参数

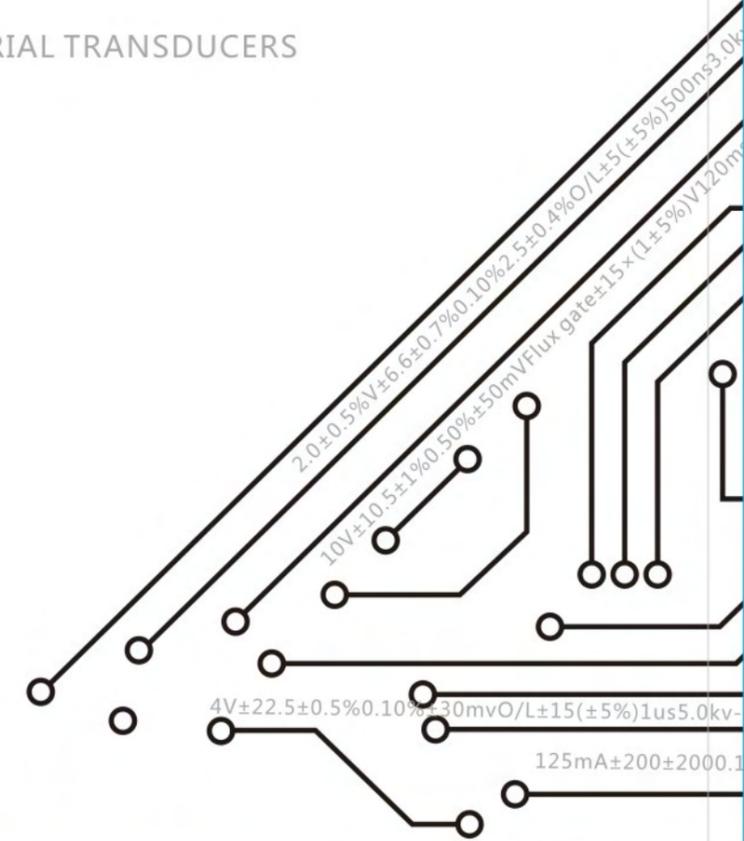
Type & Specification of 1000A-1500A Series Current Transducers

额定电流 (A) Primary Nominal Current(A)	型号 Type	额定测量 输出 Secondary Nominal output	测量范围 (A) Measuring Range(A)	基本误差 (≤) Accuracy (≤)	线性度误差 (≤) Linearity (≤)	零点输出误差 (+25°C) Offsetofzero (+25°C)	技术原理 Technonlgy Principle	电源电压 Supply Voltage	响应时间 (≤) Response Time(≤)	耐压 Isolation Voltage	工作温度 Operating Temperature	外型图 Drawing	备注编号 Note No.
1000	NACL1000B-S5/SP3	333.33mA	±2100	±0.4%	0.1%	±0.5mA	C/L	±(15~24)(1±5%)	1us	3.8kV	-40°C~+85°C		PAGE.44 /FIG.4
	NACL1000B-S1	200mA	±2100	±0.4%	0.1%	±0.4mA	C/L	±(15~24)(1±10%)	1us	3.8kV	-40°C~+85°C		PAGE.43 /FIG.1
	NACL1000B-S5/SP1	333.33mA	±2100	±0.4%	0.1%	±0.5mA	C/L	±(15~24)(1±10%)	1us	3.8kV	-40°C~+85°C		PAGE.44 /FIG.4
	NACL1000B-S5/SP2	200mA	±2100	±0.4%	0.1%	±0.4mA	C/L	±(15~24)(1±10%)	1us	6kV	-40°C~+85°C		PAGE.44 /FIG.5
	NACL1000B-S1/SP1	250mA	±1800	±0.4%	0.1%	±0.4mA	C/L	±(15~24)(1±10%)	1us	3.8kV	-40°C~+85°C		PAGE.43 /FIG.1
	NACL1000B-S1/SP2	200mA	±2100	±0.4%	0.1%	±0.4mA	C/L	±(15~24)(1±10%)	1us	3.8kV	-40°C~+85°C		PAGE.43 /FIG.2
	NACL1000Q-S5/N	250mA	±3000	±0.6%	0.1%	±0.5mA	C/L	±24(1±20%)	1us	6kV	-40°C~+85°C		PAGE.56 /FIG.41
	NACL1000Q-S1/N	200mA	±2400	±0.4%	0.1%	±0.5mA	C/L	±(15~24)(1±5%)	1us	13.4kV	-40°C~+85°C		PAGE.56 /FIG.42
	NACL1000Q-S3/N	200mA	±2400	±0.4%	0.1%	±0.5mA	C/L	±(15~24)(1±10%)	1us	13.4kV	-40°C~+85°C		PAGE.57 /FIG.43
	NT1005-S/SP2	200mA	±2000	±0.4%	0.1%	±0.4mA	C/L	±(15~24)(1±10%)	1us	7kV	-40°C~+85°C		PAGE.44 /FIG.6
1200	NACF.1200J-S5/V	4V	±3600	±1.0%	1.0%	±20mV	O/L	±15×(1±5%)V	5us	5kV	-40°C~+85°C		PAGE.52 /FIG.29
	NACF.1200J1-S5/V	4V	±2500	±1.0%	1.0%	±20mV	O/L	±15×(1±5%)V	5us	5kV	-40°C~+85°C		PAGE.52 /FIG.30
1500	NACF.1500J-S5/V	4V	±4500	±1.0%	1.0%	±20mV	O/L	±15×(1±5%)V	5us	5kV	-40°C~+85°C		PAGE.52 /FIG.29
	NACF.1500J1-S5/V	4V	±2500	±1.0%	1.0%	±20mV	O/L	±15×(1±5%)V	5us	5kV	-40°C~+85°C		PAGE.52 /FIG.30
	NCA1P-1500A	4V	±3000	±2.0%	1.0%	±40mV	O/L	±(12~15)(1±5%)	10us	3kV	-40°C~+85°C		PAGE.56 /FIG.40
2000	NACF.2000J-S5/V	4V	±5500	±1.0%	1.0%	±20mV	O/L	±15×(1±5%)V	5us	5kV	-40°C~+85°C		PAGE.52 /FIG.29

2000A-3000A
电流传感器型号规格及技术参数

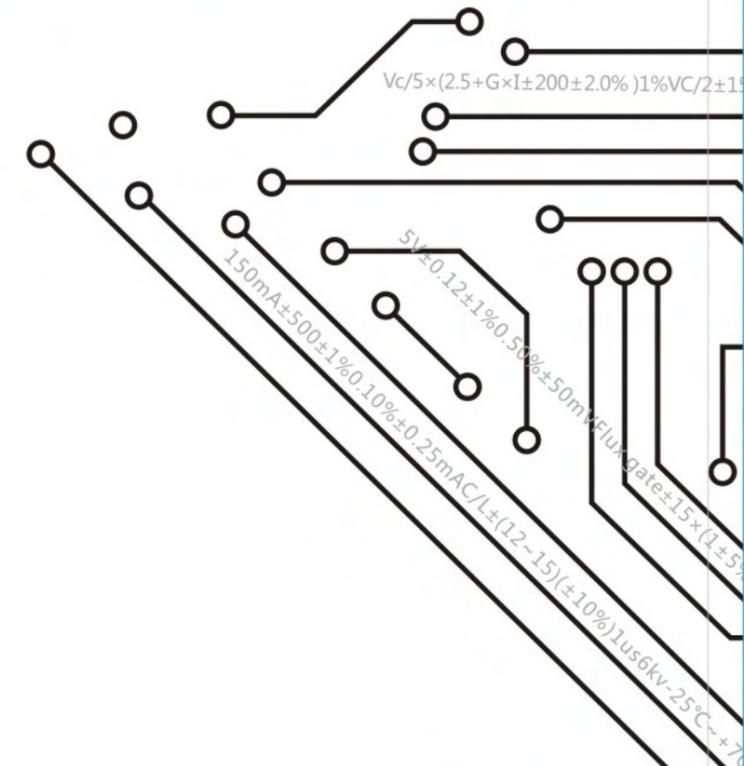
Type & Specification of 2000A-3000A Series Current Transducers

额定电流 (A) Primary Nominal Current(A)	型号 Type	额定测量 输出 Secondary Nominal output	测量范围 (A) Measuring Range(A)	基本误差 (\leq) Accuracy (\leq)	线性度误差 (\leq) Linearity (\leq)	零点输出误差 (+25°C) Offsetofzero (+25°C)	技术原理 Technonlgy Principle	电源电压 Supply Voltage	响应时间 (\leq) Response Time(\leq)	耐压 Isolation Voltage	工作温度 Operating Temperature	外型图 Drawing	备注编号 Note No.
2000	NCA1P-2000A	4V	± 3000	$\pm 2.0\%$	1.0%	$\pm 40\text{mV}$	O/L	$\pm(12\sim 15)(1\pm 5\%)$	10us	3kV	-40°C~+85°C		PAGE.56 /FIG.40
	NCA1Q-2000A	4V	± 3000	$\pm 2.0\%$	1.0%	$\pm 40\text{mV}$	O/L	$\pm(12\sim 15)(1\pm 5\%)$	10us	6kV	-40°C~+85°C		PAGE.55 /FIG.39
	NACL2000B1-S5/SP3N	500mA	± 3000	$\pm 0.4\%$	0.1%	$\pm 0.4\text{mA}$	C/L	$\pm(15\sim 24)(1\pm 5\%)$	1us	12kV	-40°C~+85°C		PAGE.44 /FIG.6
	NACL2000B1-S5/SP6	400mA	± 3000	$\pm 0.3\%$	0.1%	$\pm 0.5\text{mA}$	C/L	$\pm(15\sim 24)(1\pm 5\%)$	1us	6kV	-40°C~+85°C		PAGE.44 /FIG.4
	NACL2000B1-S1/SP1N	400mA	± 3500	$\pm 0.5\%$	0.1%	$\pm 0.4\text{mA}$	C/L	$\pm(15\sim 24)(1\pm 5\%)$	1us	12kV	-40°C~+85°C		PAGE.58 /FIG.46
	NACL2000B1-S5/SP2	400mA	± 3000	$\pm 0.3\%$	0.1%	$\pm 0.5\text{mA}$	C/L	$\pm(15\sim 24)(1\pm 5\%)$	1us	6kV	-40°C~+85°C		PAGE.58 /FIG.48
	NT2000C-S/SP5	500mA	± 3800	$\pm 0.5\%$	0.1%	$\pm 0.4\text{mA}$	C/L	$\pm(15\sim 24)(1\pm 5\%)$	1us	3kV	-25°C~+85°C		PAGE.54 /FIG.36
2500	NACF.2500J-S5/V	4V	± 5500	$\pm 1.0\%$	1.0%	$\pm 20\text{mV}$	O/L	$\pm 15\times(1\pm 5\%)V$	5us	5kV	-40°C~+85°C		PAGE.52 /FIG.29
3000	NCA1Q-3000A	4V	± 3300	$\pm 2.0\%$	1.0%	$\pm 40\text{mV}$	O/L	$\pm(12\sim 15)(1\pm 5\%)$	10us	6kV	-40°C~+85°C		PAGE.55 /FIG.39
	NACF.3000S-S5/SP1V	1.5V	± 12000	$\pm 1.0\%$	1.0%	$\pm 40\text{mV}$	O/L	$\pm 15\times(1\pm 5\%)V$	10us	6kV	-40°C~+85°C		PAGE.58 /FIG.47



电压传感器型号规格及技术参数

Type & Specification of Series Voltage Transducers



10..1000V-1000V
电压传感器型号规格及技术参数

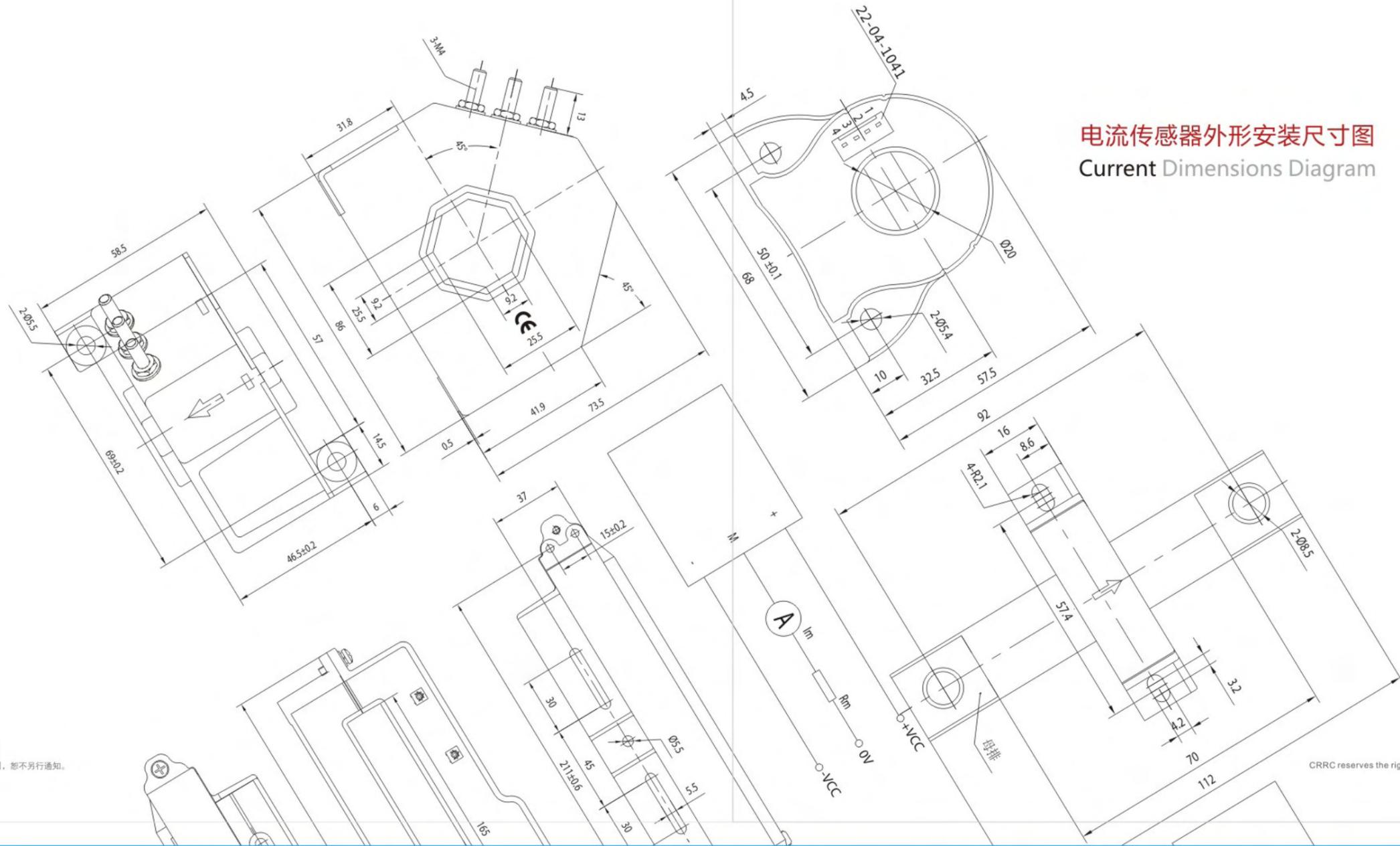
Type & Specification of 10..1000V-1000V Series Voltage Transducers

额定电压 (V) Primary Nominal Voltage(V)	型号 Type	额定测量 输出 Secondary Nominal output	测量范围 (V) Measuring Range(V)	基本误差 (≤) Accuracy (≤)	线性度误差 (≤) Linearity (≤)	零点输出误差 (+25°C) Offsetofzero (+25°C)	工作原理 Working Principle	电源电压 Supply Voltage	响应时间 (≤) Response Time(≤)	耐压 Isolation Voltage	工作温度 Operating Temperature	外型图 Drawing	备注编号 Note No.
10..1000	NACLAWB-66	25mA	±10..1500	±0.8%	0.2%	±0.15mA	C/L	±15×(1±5%)V	40us	4.2kV	-40°C~+85°C		PAGE.61 /FIG.2
100	NV25-100V	25mA	±150	±0.8%	0.2%	±0.15mA	C/L	±(12~15)(1±5%)V	15us	4.1kV	-25°C~+70°C		PAGE.61 /FIG.1
150	NVAF.150-13/N	50mA	±225	±0.7%	0.1%	±0.15mA	Isolation Amplification	±(12~24)(1±5%)V	12us	3.3kV	-40°C~+85°C		PAGE.62 /FIG.4
250	NVAF.250-13/N	50mA	±375	±0.7%	0.1%	±0.15mA	Isolation Amplification	±(12~24)(1±5%)V	12us	3.3kV	-40°C~+85°C		PAGE.62 /FIG.4
400	NV25-400V	25mA	±150	±0.8%	0.2%	±0.15mA	C/L	±(12~15)(1±5%)V	15us	4.1kV	-25°C~+70°C		PAGE.61 /FIG.1
500	NVCT.500-13	50mA	±750	±1.0%	0.1%	±0.25mA	Magnetic Modulation	±(15~24)(1±5%)V	4us	6.0kV	-40°C~+85°C		PAGE.61 /FIG.3
	NVAF.500-13/N	50mA	±750	±0.7%	0.1%	±0.15mA	Isolation Amplification	±(12~24)(1±5%)V	12us	3.3kV	-40°C~+85°C		PAGE.62 /FIG.4
600	NVCL.600D-22	25mA	±900	±0.8%	0.2%	±0.15mA	C/L	±(12~15)(1±5%)V	15us	4.1kV	-25°C~+70°C		PAGE.61 /FIG.1
750	NCV4A-750V/SP4N	50mA	±1125	±0.7%	0.1%	±0.15mA	Isolation Amplification	±(12~24)(1±5%)V	12us	4.3kV	-40°C~+85°C		PAGE.62 /FIG.4
800	NVCT.800-13	50mA	±1200	±1.0%	0.1%	±0.25mA	Magnetic Modulation	±(15~24)(1±5%)V	4us	6.0kV	-40°C~+85°C		PAGE.61 /FIG.3
	NV25-800V	25mA	±1200	±0.8%	0.2%	±0.15mA	C/L	±(12~15)(1±5%)V	25us	4.1kV	-25°C~+70°C		PAGE.61 /FIG.1
	NVCL.800-22	50mA	±1200	±1.0%	0.2%	±0.2mA	C/L	±15×(1±5%)V	120ns	6.0kV	-40°C~+85°C		PAGE.62 /FIG.5
1000	NVCL1000C-11/SP1	50mA	±1500	±0.7%	0.1%	±0.2mA	C/L	±(15~24)(1±5%)V	50us	6.0kV	-40°C~+85°C		PAGE.62 /FIG.6
	NVCL1000C-13/SP1	50mA	±1500	±0.7%	0.1%	±0.2mA	C/L	±(15~24)(1±5%)V	50us	6.0kV	-40°C~+85°C		PAGE.62 /FIG.6
	NVCL.1000-22	50mA	±1500	±1.0%	0.2%	±0.2mA	C/L	±15×(1±5%)V	120us	6.0kV	-40°C~+85°C		PAGE.62 /FIG.5
	NCV4A-1000V/SP4	50mA	±1500	±0.7%	0.1%	±0.15mA	Isolation Amplification	±(12~24)(1±5%)V	12us	5.5kV	-40°C~+85°C		PAGE.62 /FIG.4

1000V-4000V
电压传感器型号规格及技术参数

Type & Specification of 1000V-4000V Series Voltage Transducers

额定电压 (V) Primary Nominal Voltage(V)	型号 Type	额定测量输出 Secondary Nominal output	测量范围 (V) Measuring Range(V)	基本误差 (≤) Accuracy (≤)	线性度误差 (≤) Linearity (≤)	零点输出误差 (+25°C) Offset of zero (+25°C)	工作原理 Working Principle	电源电压 Supply Voltage	响应时间 (≤) Response Time(≤)	耐压 Isolation Voltage	工作温度 Operating Temperature	外型图 Drawing	备注编号 Note No.
1000	NVCL1000D-22	25mA	±1500	±0.8%	0.2%	±0.15mA	C/L	±(12~15)(1±5%)V	40us	4.1kV	-25°C~+70°C		PAGE.61 /FIG.1
1500	NVCL1500-22	50mA	±2250	±1.0%	0.2%	±0.2mA	C/L	±15×(1±5%)V	120us	6.0kV	-40°C~+85°C		PAGE.62 /FIG.5
	NCV1-2250/SP3	50mA	±1500	±1.0%	0.1%	±0.25mA	Magnetic Modulation	±(15~24)(1±5%)V	4us	6.0kV	-40°C~+85°C		PAGE.61 /FIG.3
	NCV4A-1500V/SP4	50mA	±2250	±0.7%	0.1%	±0.15mA	Isolation Amplification	±(12~24)(1±5%)V	12us	6.0kV	-40°C~+85°C		PAGE.62 /FIG.4
2000	NCV4A-2000V/SP4	50mA	±3000	±0.7%	0.1%	±0.15mA	Isolation Amplification	±(12~24)(1±5%)V	13us	6.5kV	-40°C~+85°C		PAGE.62 /FIG.4
2800	NVCT.2800C-11/N	50mA	±4000	±0.6%	0.1%	±0.2mA	Magnetic Modulation	±(15~24)(1±10%)V	50us	9.5kV	-40°C~+85°C		PAGE.63 /FIG.8
4000	NVCL4000C1-11/N	50mA	±6000	±0.7%	0.2%	±0.2mA	C/L	±(15~24)(1±5%)V	200us	12kV	-40°C~+85°C		PAGE.63 /FIG.7

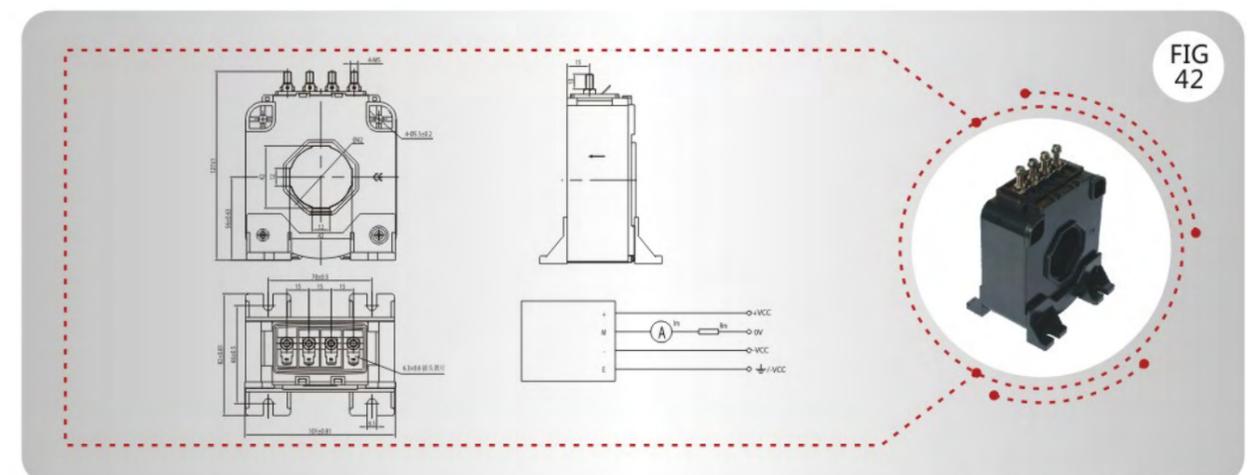
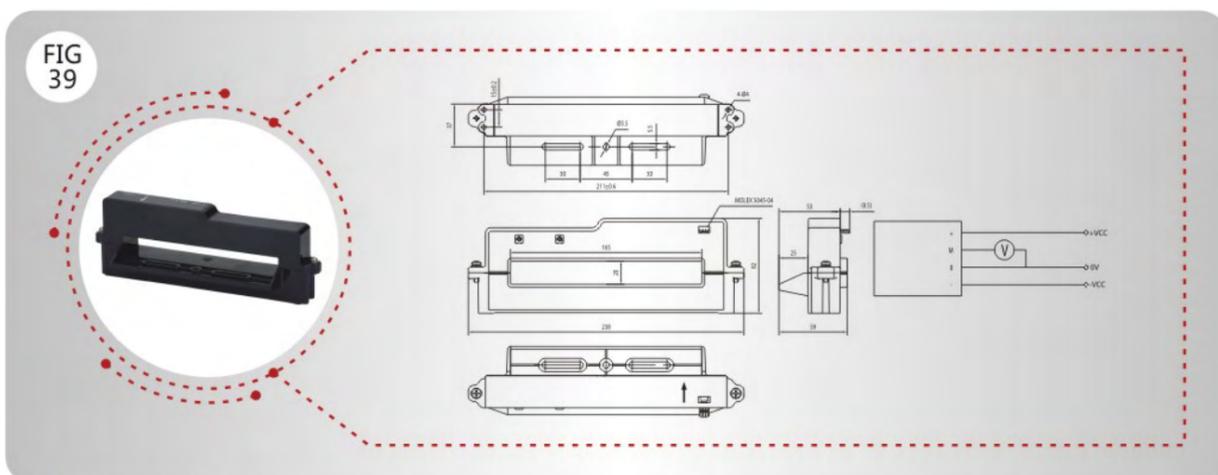
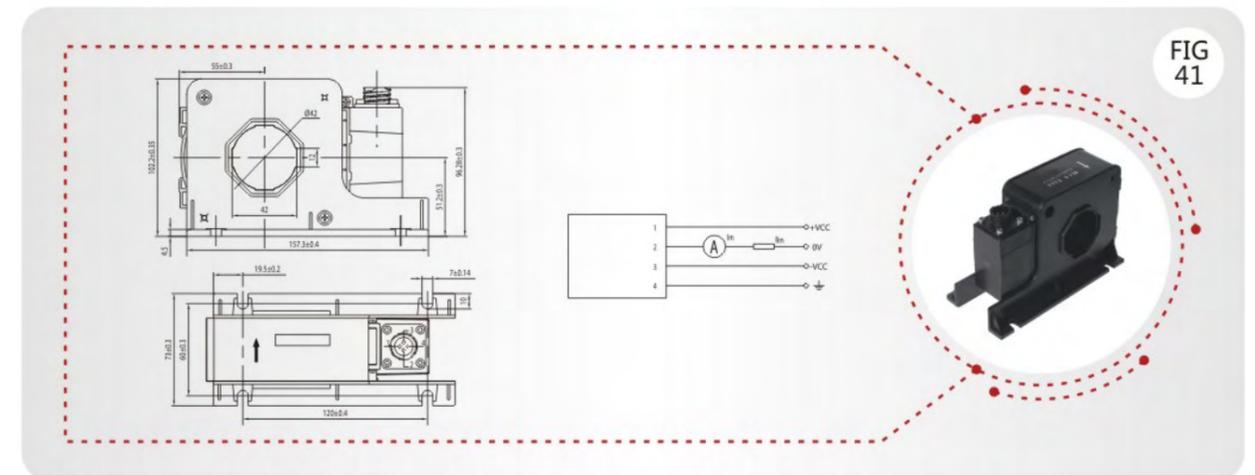
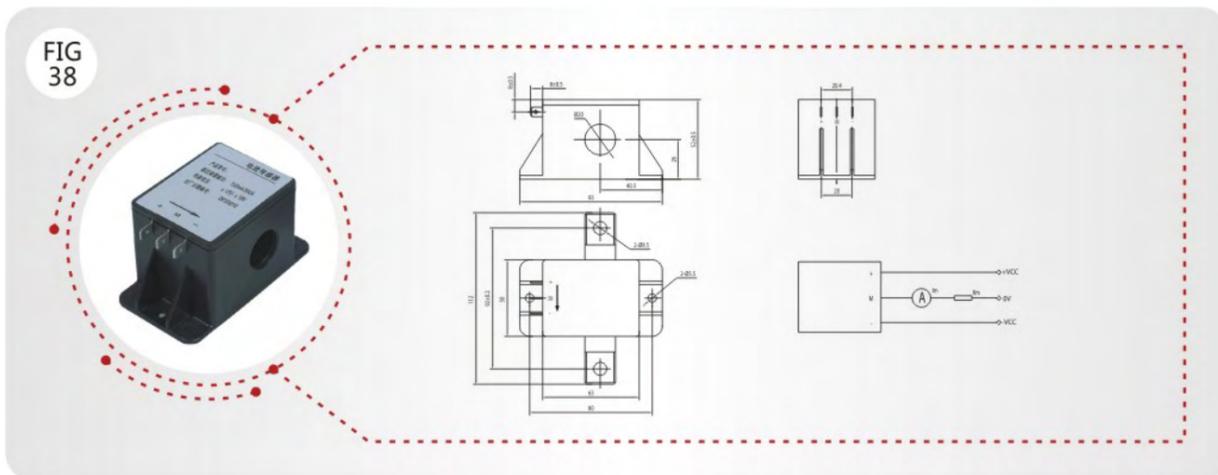
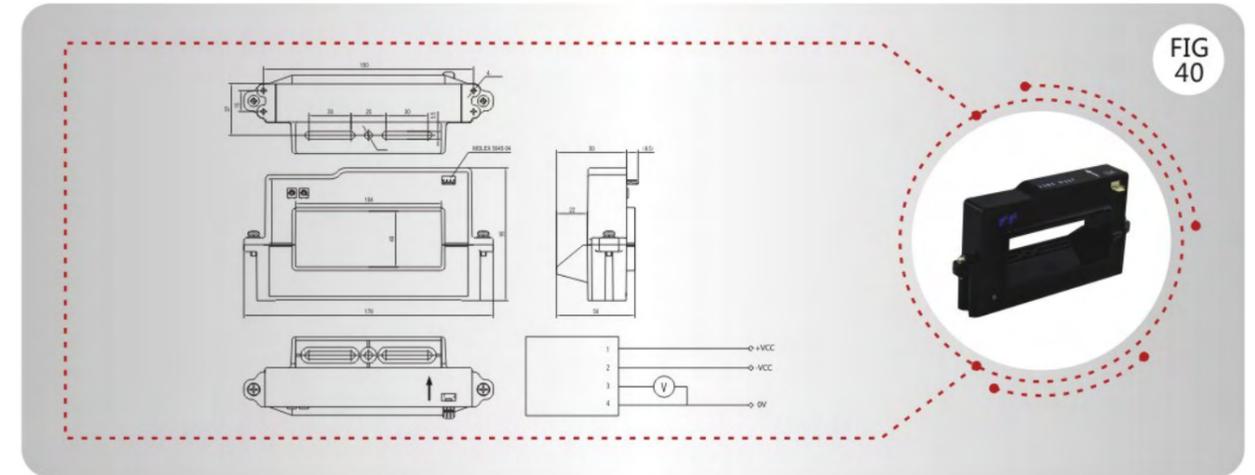
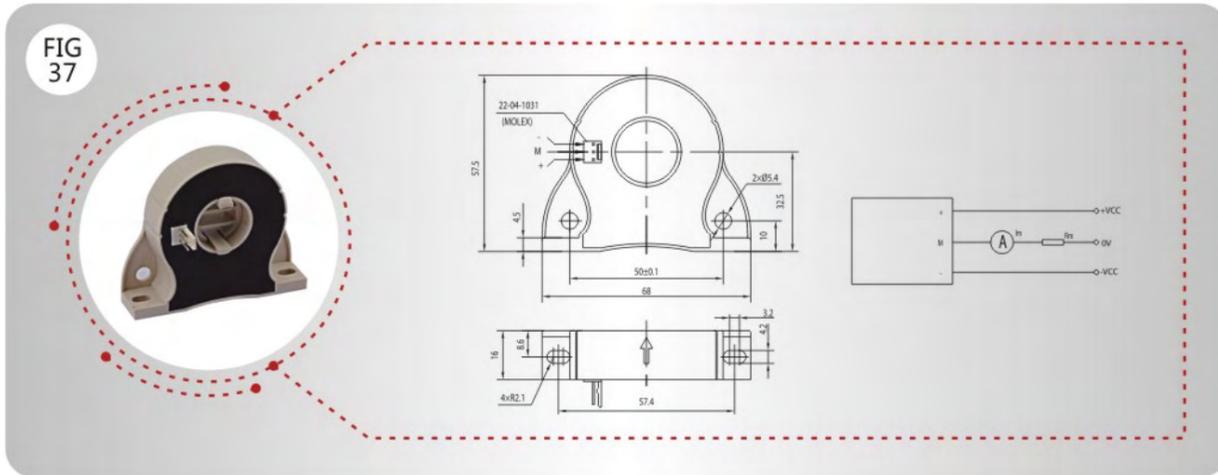


电流传感器外形安装尺寸图
Current Dimensions Diagram



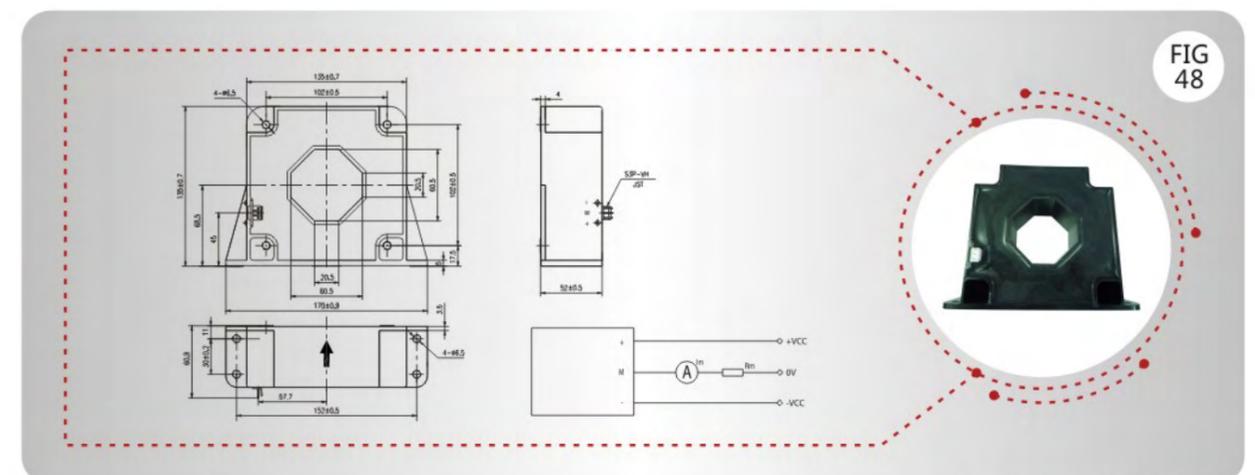
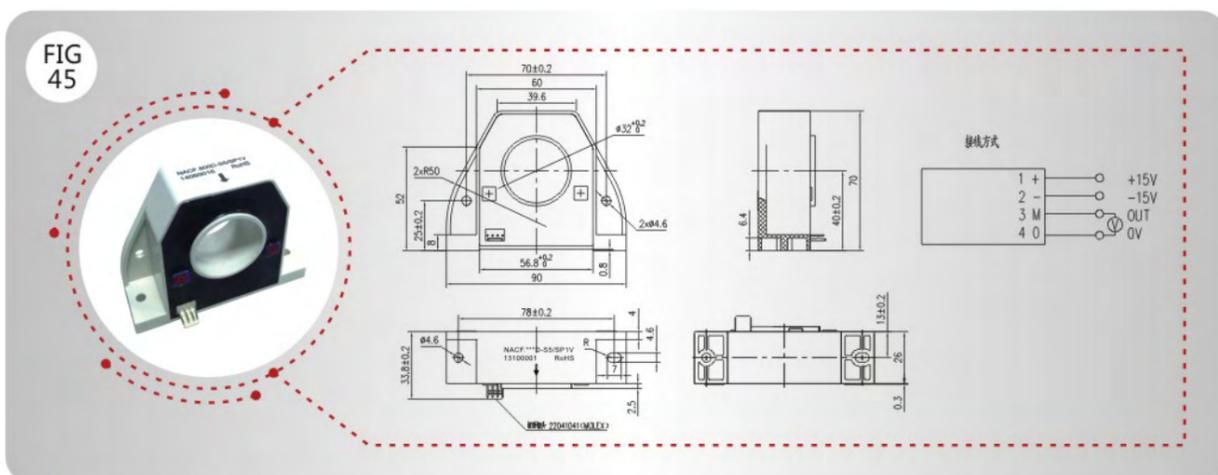
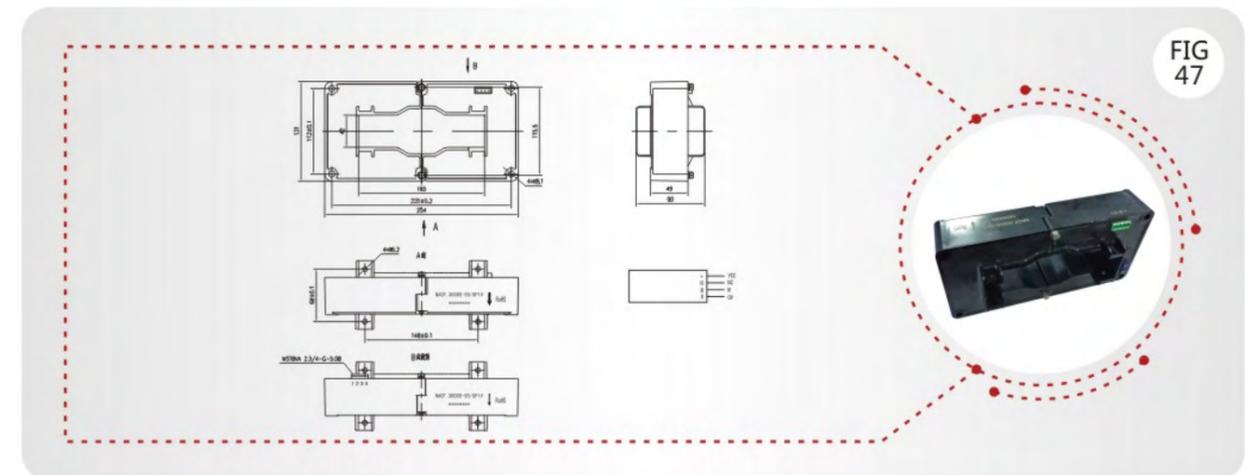
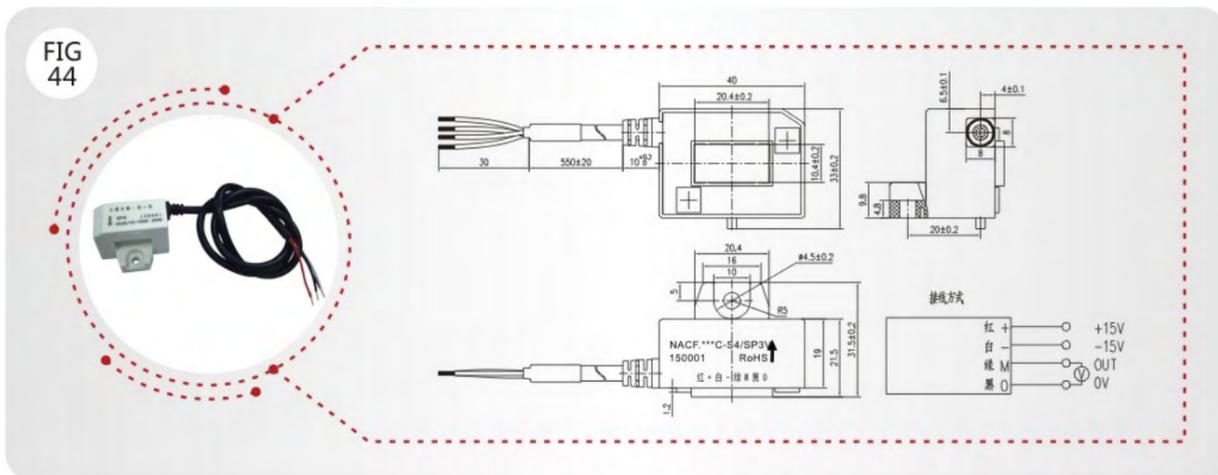
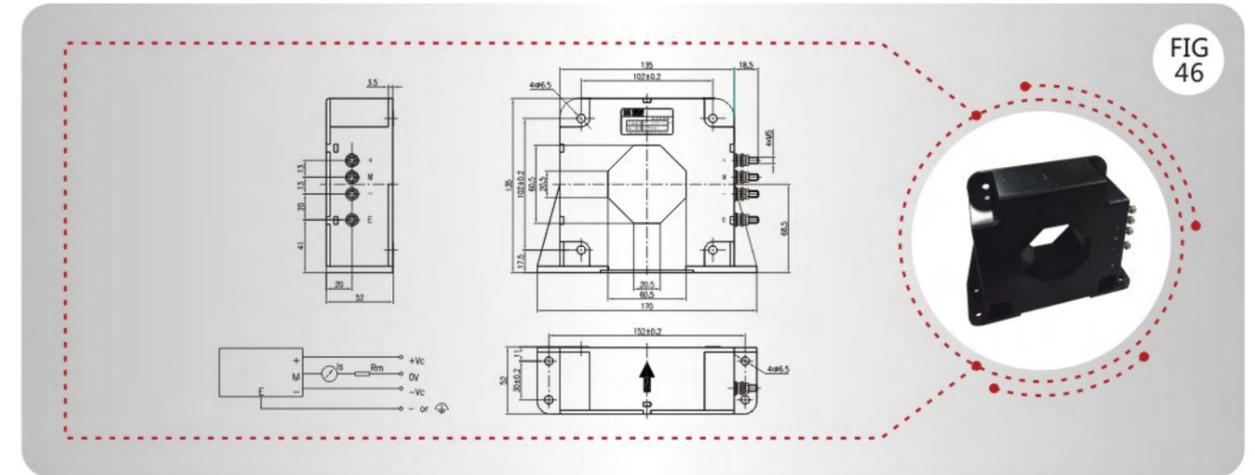
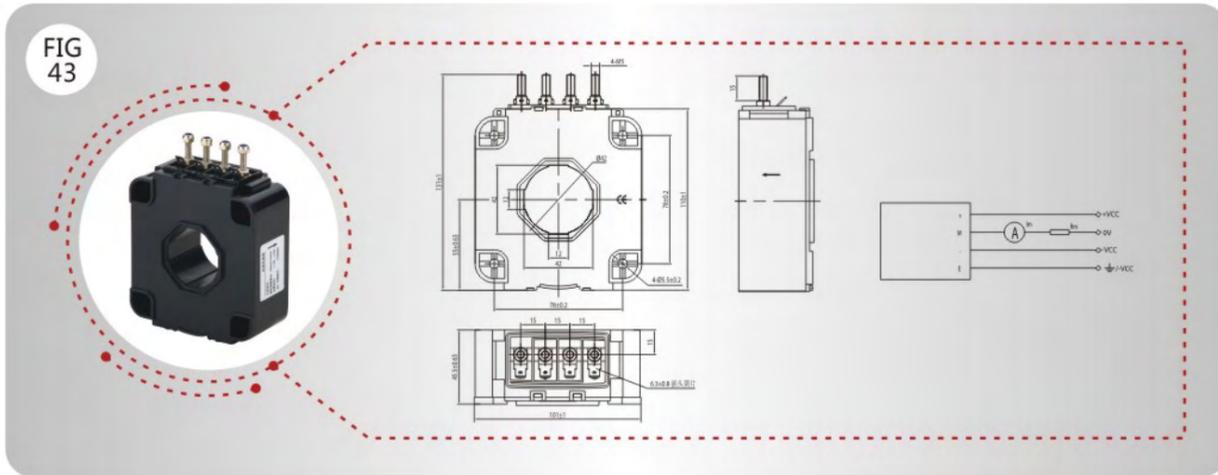
电流传感器
外形安装尺寸图

Current
Dimensions Diagram



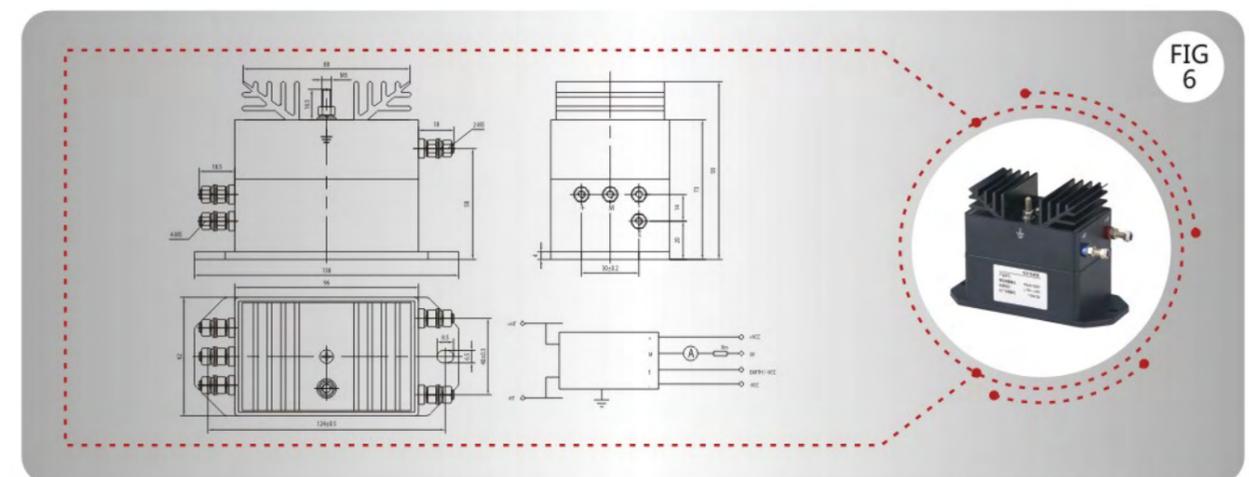
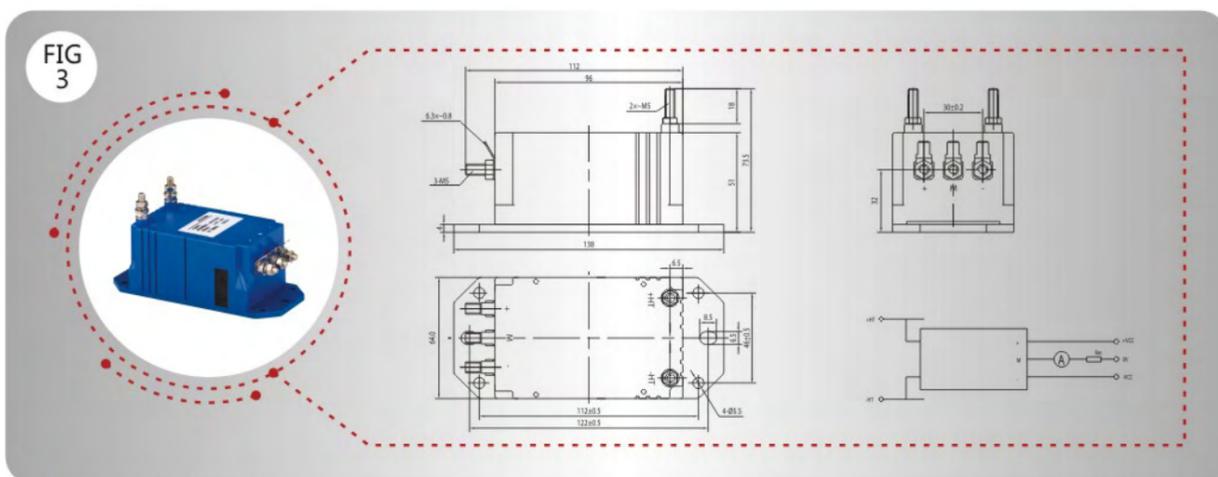
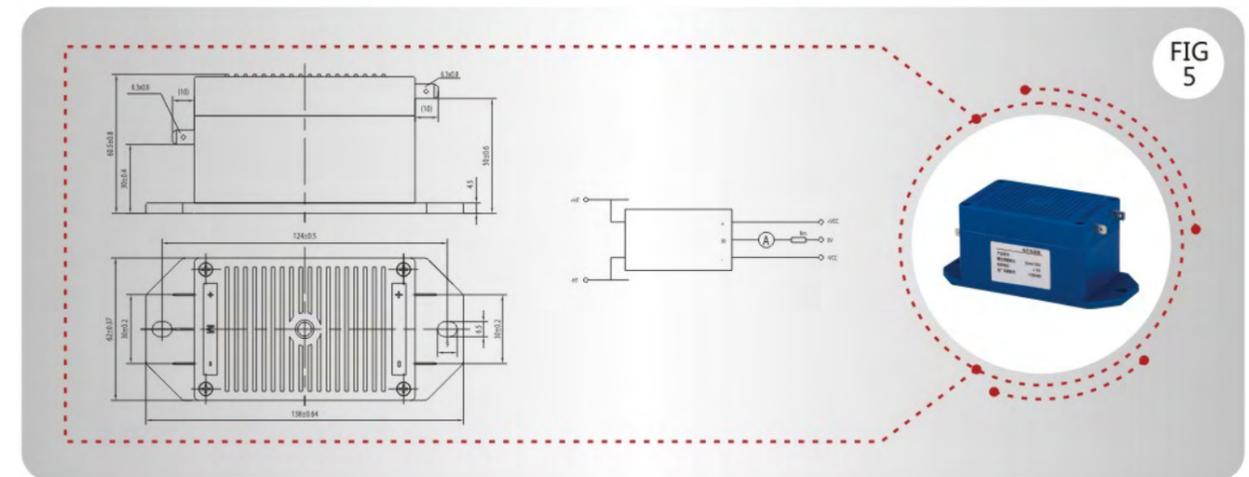
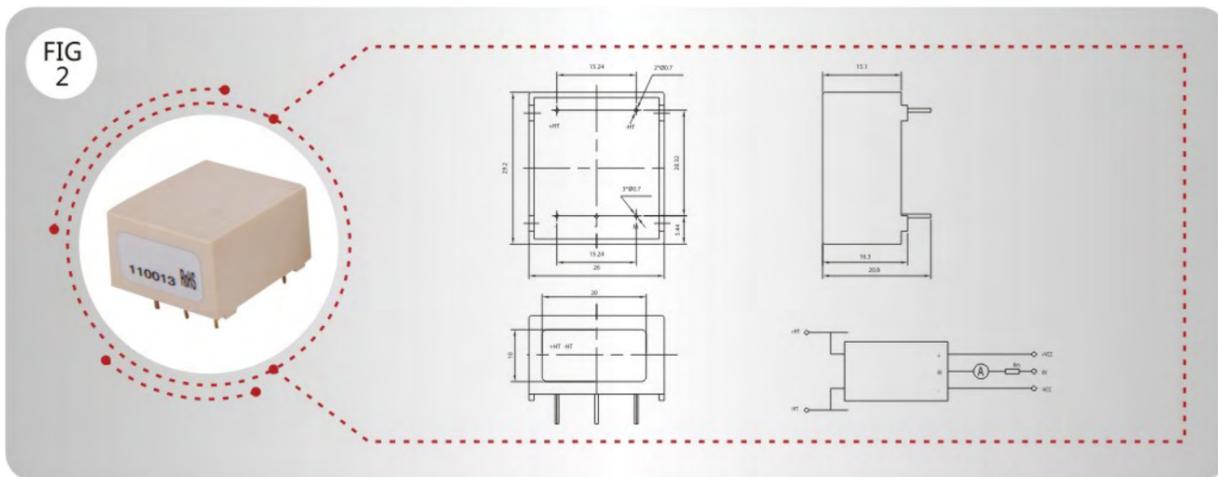
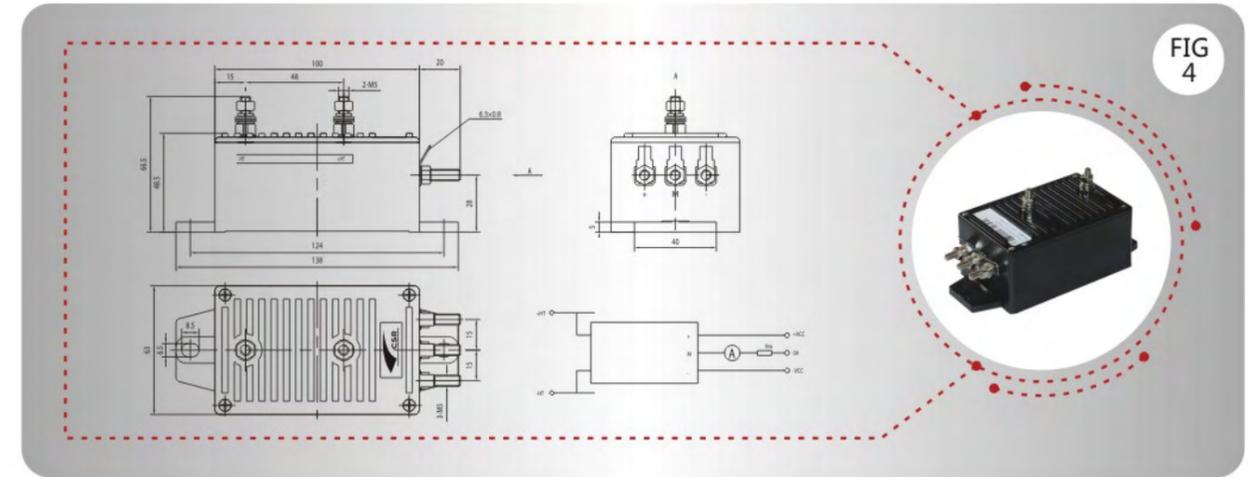
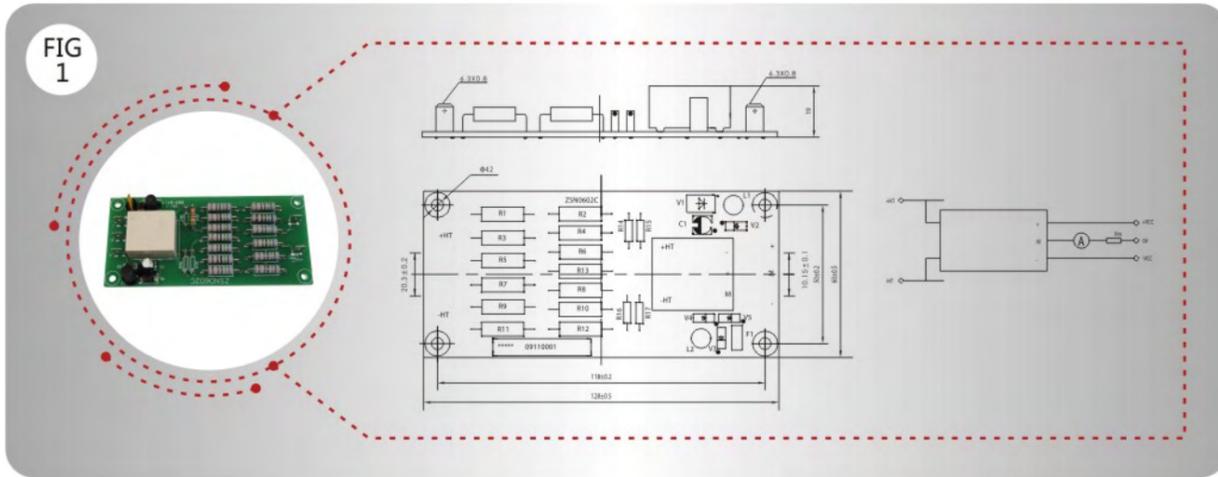
电流传感器
外形安装尺寸图

Current
Dimensions Diagram

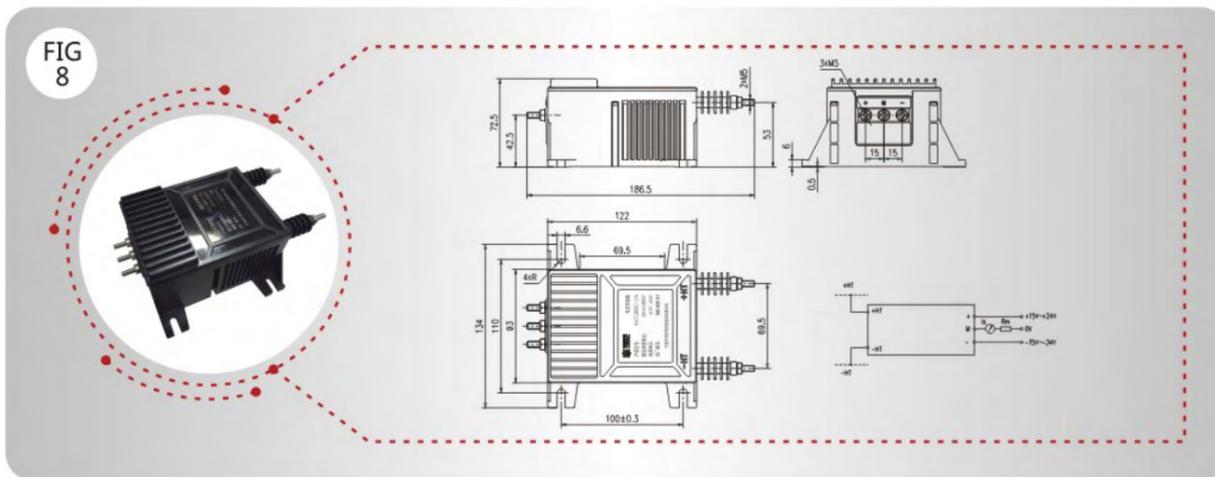
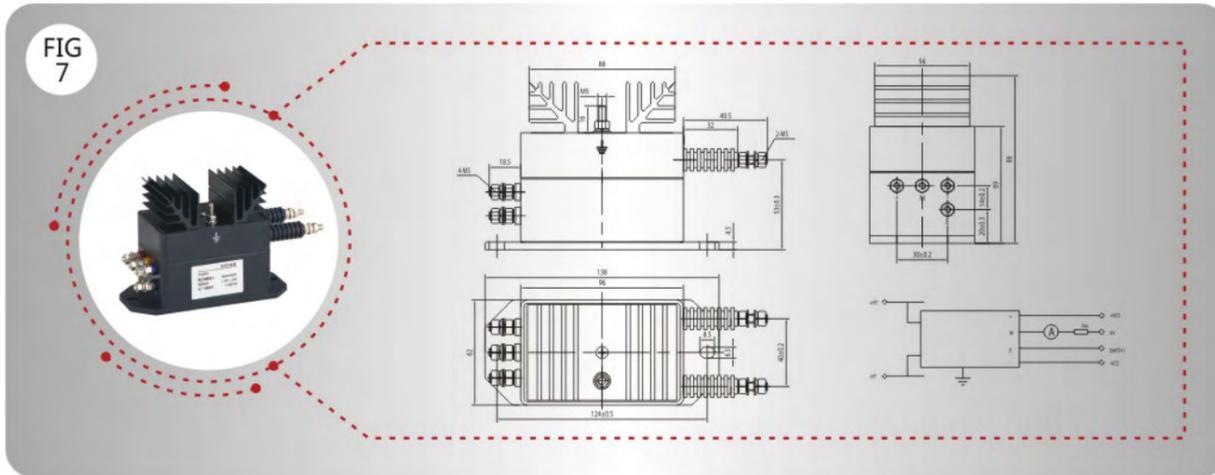


电压传感器
外形安装尺寸图

Voltage
Dimensions Diagram



电压传感器
外形安装尺寸图



- 01. ISO14001 : 2004 环境管理体系
/ ISO14001 Environmental Management System Certificate
- 02. OHSAS 18001:2007职业健康安全管理体系
/OHSAS 18001 Occupational Health and Safety Management System Certificate
- 03. ISO9001:2008质量管理体系
/ISO9001 Quality Management System Certificate
- 04. IRIS 02 国际铁路行业标准认证
/International Railway industry standard (IRIS) Revision 02
- 05. ISO/TS16949:2009 汽车行业质量管理体系认证
/ Quality Management System Certificate For Automotive Industry
- 06. CANS 中国合格评定国家认可委员会实验室认可证书
/China National Accreditation Service Conformity Assessment Laboratory Accreditation Certificate
- 07. UL CE RoHS 等认证
/UL CE RoHS Certificate
- 08. ISO26000 企业社会责任
/ Corporate Social Responsibility