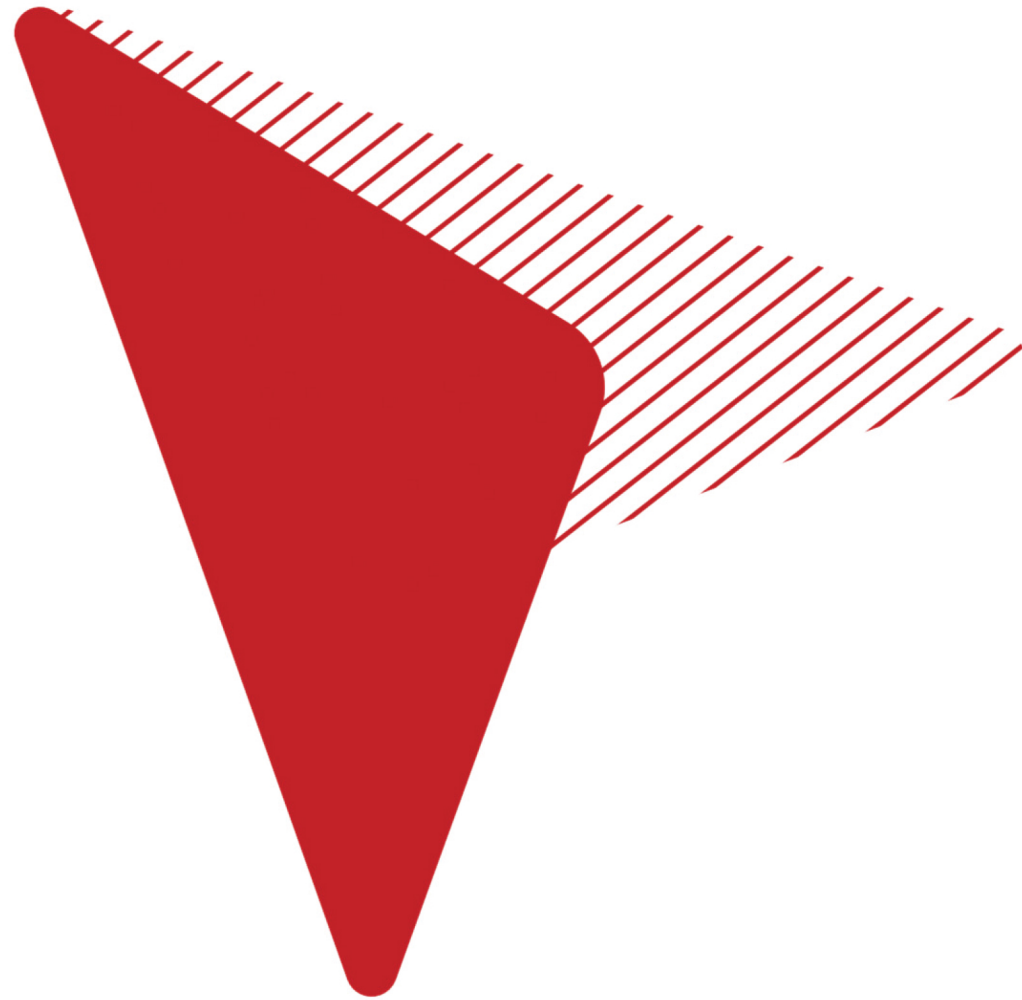




LED Lighting IC



Follow BP Wechat public accounts



WeChat Tweets



WeChat Video



Тел.: +7 (495) 252-07-77

Факс: +7 (495) 252-07-00

E-mail: sales@platan-energo.ru

Shanghai Bright Power Semiconductor Co.,Ltd
www.bpsemi.com

Founded in October 2008, Shanghai Bright Power Semiconductor Co., LTD. (Stock code :688368) is one of the leading analog and mixed-signal IC design companies in China. Headquartered in Shanghai, the company has subsidiaries in Hangzhou, Chengdu and Hong Kong, and customer support centers in Shenzhen, Xiamen, Zhongshan, Dongguan and Suzhou to provide customers with a full range of services.

BPS focuses on the R & D and sales of power management and motor control chips, insists on independent innovation, and its products cover LED lighting driver chips, AC/DC power management chips, DC/DC power management chips, motor control driver chips, etc., which are widely used in LED lighting, home appliances and mobile phones, personal computers, servers, base stations, Netcom, industrial control and other fields. BPS adheres to the mission of "creating core to assist intelligent manufacturing and achieving partners with heart," strives for the development of the industry, aspires to the prosperity of the country, promotes the progress of the industry in the leading field of BPS, and strives to catch up with the key backward fields in China to create the core dream of the times!



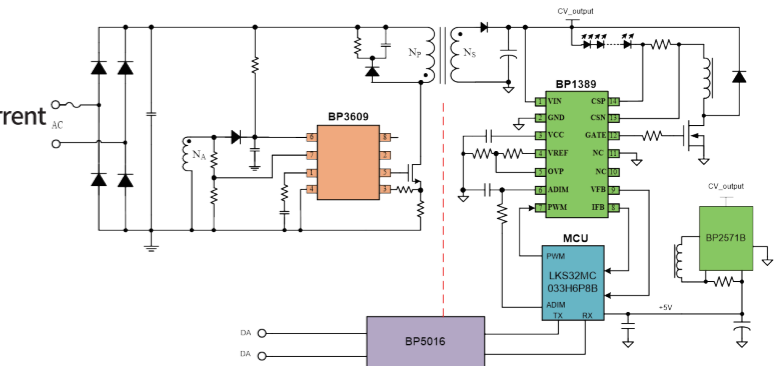
DALI Dimming Isolated APFC Flyback CV + DC-DC Buck CC

BP3609 + BP1389+BP5016 + LKS32MC033H6P8B

INPUT: 176-264Vdc	OUTPUT: 6-42V, 1A
----------------------	----------------------

Main Features

- Meet DALI 2 certification
- BP5016 supports push dimming
- BP1389 adopts the hybrid dimming to 0.1% of the max. current
- Flicker free operation
- PF>0.95, THD<15%@full load
- Low frequency ripple<±1%
- DC-DC Buck operates in CCM
- Support wide output voltage range (6-42V)
- BP1389 directly feed the Vled & Iled state to MCU



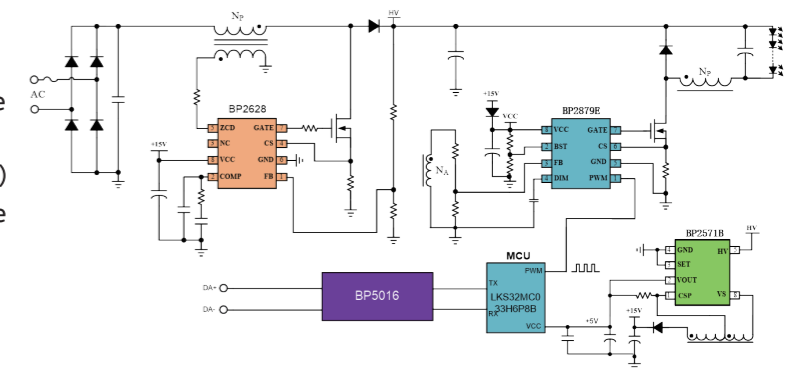
DALI Dimming Non-isolated Boost CV + Buck CC

BP2628 + BP2879E+BP5016 + LKS32MC033H6P8B

INPUT: 176-264Vdc	OUTPUT: 40-200V, 0.5A DimmingRange 1%
----------------------	--

Main Features

- Full mains input PF>0.95, THD<10%
- Boost + Buck topology
- BP2879E operates in QR mode
- BP2879E built-in PWM to analog dimming to 1% of the max. current
- BP2879E support wide output voltage range(50-250V)
- Smooth dimming during the full output current range
- Good input & load regulation
- Reliable OVP,SCP,OTP protections
- DALI interface BP5016 passes 1.2KV surge test
- Meet DALI2 certification and push dimming



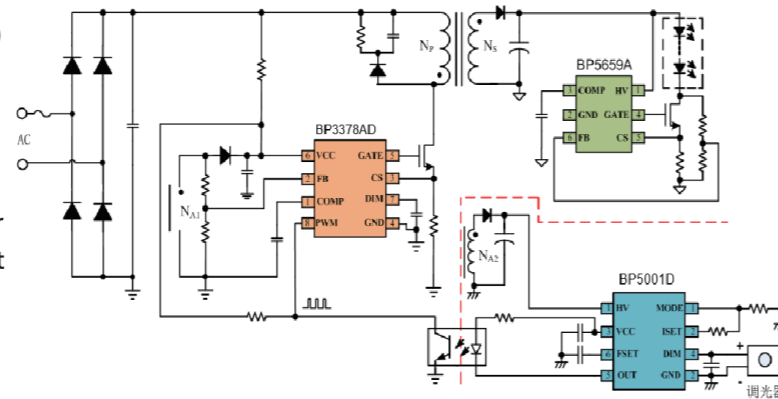
0-10V Dimming Isolated Single Stage APFC Flyback + Buck CC

BP3378AD + BP5659A+BP5001D

INPUT: 90Vac~277Vac	OUTPUT: 20-40V/1A Po=40W
------------------------	-----------------------------

Main Features

- Full mains input (90~277Vac)
- High power factor and low THD (PF>0.9, THD<15%)
- Operates in QR mode, ensure high efficiency(>89%) and good EMI performance
- Adopts high performance current ripple suppressor, ensure low frequency ripple rate($\pm 2\%$)
- Smooth dimming, good feedback from end customer
- Provide independent +12V/200mA auxiliary power output
- Good dimmer compatibility, support radar dimming off function
- Reliable OVP, SCP, OTP protections



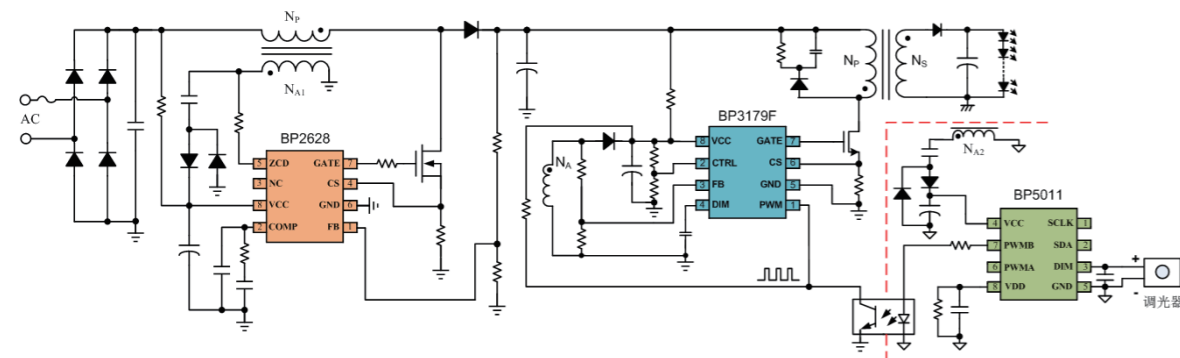
0-10V Dimming Isolated 2-Stage Boost CV + Flyback CC

BP2628 + BP3179D+BP5011

INPUT: 90Vac~277Vac	OUTPUT: 20-40V/1.5A Po=60W
------------------------	-------------------------------

Main Features

- PF>0.95, THD<5%;
- Dimming depth 5%, good MP consistency
- Isolated dimming interface, support 3-in-1 dimming(BP5011)
- Two stage operate in QR mode to achieve good EMI
- BP3179D upgrade dimming off CV mode and good linearity for dimming curve
- Good line and load regulation



0-10V Dimming Non-isolated Boost CV + Buck CC

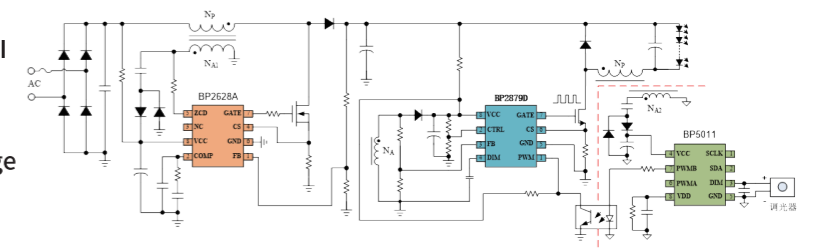
BP2628A + BP2879D

INPUT: 90Vac~305Vac	OUTPUT: 100~200V/1A Po=200W
------------------------	--------------------------------

Application: High Bay or Plant Light

Main Features

- PF>0.95, THD<5%
- High efficiency>95% @ 220Vac, 200W
- Dimming depth 5%, good MP consistency
- Two stage operate in QR mode to achieve good EMI
- Buck support high side and low side application
- Buck BP2879D valley on for whole dimming range
- Good dimming curve linearity for wide output range
- Good line regulation and load regulation
- Reliable OVP and OTP protection
- Isolated dimming interface, support 3-in-1 dimming



0-10V Dimming Non-isolated Boost CC

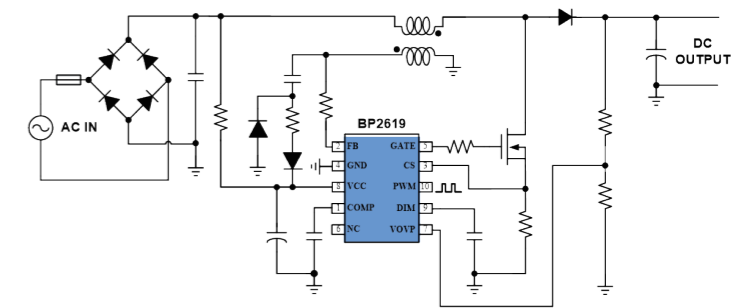
BP2619 + BP5001

INPUT: 90Vac~277Vac	OUTPUT: 470V/0.425A Po=200W
------------------------	--------------------------------

Application: High Bay or Plant Light

Main Features

- Full mains input (90~277Vac)
- High power factor and low THD (PF>0.9, THD<15%@277Vac)
- Built-in PWM to analog dimming to 5% depth
- Smooth dimming, good linearity for dimming curve
- Independent OVP detection pin for reliable output OVP
- Built-in OTP protection
- Good line regulation and load regulation
- Operates in QR mode, ensure high efficiency(>96%) and good EMI performance



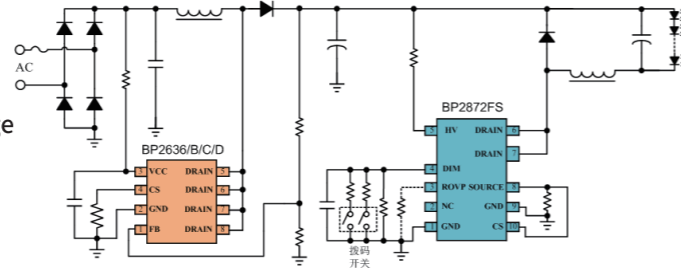
Non-dimming 2-stage Solution Non-isolated Boost CV + Buck CC

BP2636C + BP2872FS

INPUT: 176Vac~264Vac	OUTPUT: 100V/0.35A Po=35W
-------------------------	------------------------------

Main Features

- Buck support high-side and low-side
- High PF and low THD, PF>0.9, THD<10%
- Support current regulation with dial code, regulation range 40%-100%(constant OVP with dial code)
- Adjustable soft start time for timing consideration of two stage
- 4 type high accuracy OVP setting:140V/230V/330V/Non
- BP2872FS support ON/OFF function
- Built-in thermal foldback, no flicker for high ambient temperature
- Both chip support SMT package, improve production efficiency



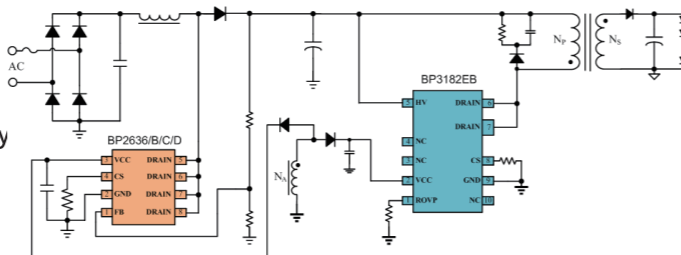
Non-dimming 2-stage Solution Isolated Boost CV + Flyback CC

BP2636C + BP3182EB

INPUT: 176Vac~264Vac	OUTPUT: 20V-40V/1A Po=40W
-------------------------	------------------------------

Main Features

- PF>0.95, THD<10%, output current LF ripple rate<0.5%
- No load input power<0.5W, meet latest ErP requirement
- Single boost winding, optimized chip pin configuration for heat dissipation
- Two stage operate in QR BCM for good efficiency and EMI
- BP3182EB integrates soft start function for two stage topology
- BP3182EB support wide output voltage range[10-40Vout]
- BP3182EB output current accuracy $\pm 3\%$
- Reliable OVP, SCP and Over temperature current reduction protections
- Good line regulation and load regulation
- Both chip support SMT package, optimized production process



2-Channel ErP HV Linear PWM CCT

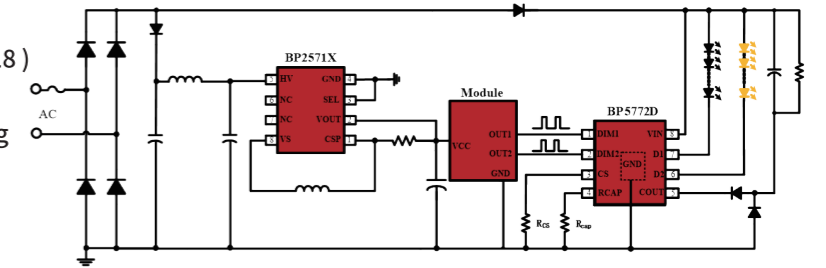
BP2571X+BP5772D

INPUT: 210Vac - 240Vac	OUTPUT: 260V / 30mA
---------------------------	------------------------

Application: • Smart Bulb, RGB Filament Lamp, etc.

Main Features

- Meet latest EU ErP requirements
- Pass Current harmonic standard (IEC61000-3-2:2018)
- Dual channel, PWM Dimming range 1%-100%
- Flicker-free, Output analog current during dimming
- Pst LM<1, SVM<0.4
- Input Line-voltage compensation
- Simple External-circuit



5-Channel ErP HV I²C RGBCW CCT

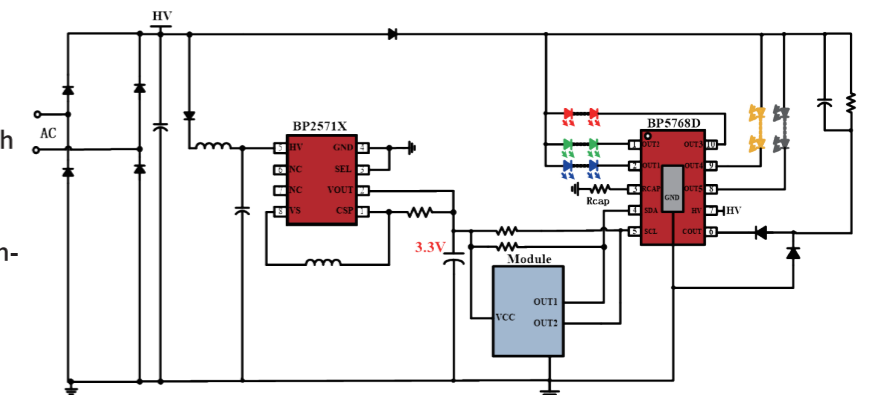
BP5768D+BP2571X/BP8521C

INPUT: 220Vac-240Vac	OUTPUT: CW: 30mA/265V RGB: 10mA/250V
-------------------------	---

Application: • Smart Bulb, Downlight, Spot Light, etc.

Main Features

- Simple External-circuit with I2C controller
- Arbitrary RGBCW sequence configuration
- Settable Maximum Current separately with high precision at 1mA/step
- 5 channels with 1024 greyscales each
- Maximum Current 90mA for each channel, Withstand Voltage 500V
- Dimming range 1%-100%



PWM CCT DC-DC: Boost + Linear

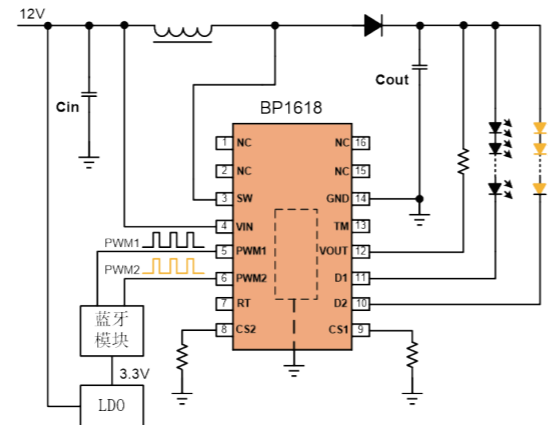
BP1618

INPUT: 12Vdc	OUTPUT: Double Channel, 27V/0.3A 8W
-----------------	--

Application: • Reading Lamp, Bedside Lamp, Wall Lamp, etc.

Main Features

- Boost + Linear topology, automatically match 2 channel LED voltage difference to achieve efficiency optimization
- Dimming depth 1%, flicker-free, smooth dimming
- Support 2 independent PWM dimming signal, good color temperature accuracy
- Output current accuracy $\pm 3\%$, good consistency
- Fast start-up time $< 0.5s$
- Reliable OCP, OVP and OTP protections;
- High integration, simplify external circuit
- Three-wire output for easy assembling
- Enhanced heat dissipation ESOP-16 package



High Precision & Dynamic Performance AC/DC Auxiliary Power Supply Unit

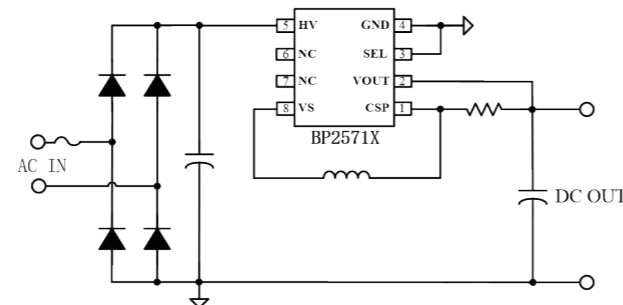
BP2571X

INPUT: 85Vac-265Vac	OUTPUT: 300mA Continuous Current 500mA Pulse Current
------------------------	---

Application: • Auxiliary Power, etc.

Main Features

- Simple External-circuit, No VCC CAP, No FWD
- Optional output voltage between 3.3V or 5V
- Standby power consumption $< 20mW$ @220Vac
- Output voltage in direct sampling mode, high precision
- No Overshoot or undershoot, $V_p-p < 100mW$



HV Certificate Ceiling Fan

HPF LTHD + Stepless CCT + Low Power Consumption + TUYA

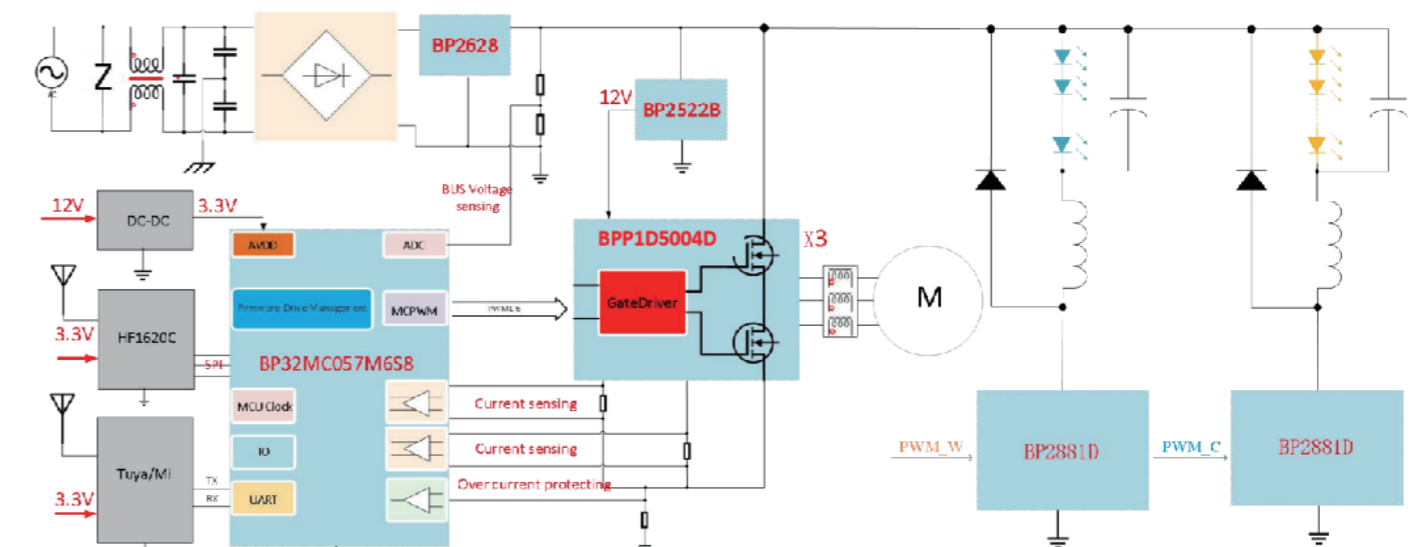


Application:



Main Features

- 96MHz MCU (LKS32MC057M6S8), realize the functions of the motor control algorithm, BLE drive decoding and application control in the same time.
- Support APP control and TUYA connection
- Standby Power Loss $< 0.5W$ (TUYA IoT connection)
- Single-phase IPM module (PN: BPP1D5004D), high integration, small size
- Main control MCU integrated op-amp, comparator,
- Motor control with Sensorless FOC driver, dual resistor differential phase current sampling, steady in operation, noiseless.
- Complete protections in overvoltage, undervoltage, overcurrent, blocking, phase-break, short circuit, etc.
- 6 gear speed regulation, positive/ reverse rotation, natural wind, etc.



ErP HV TRAIC

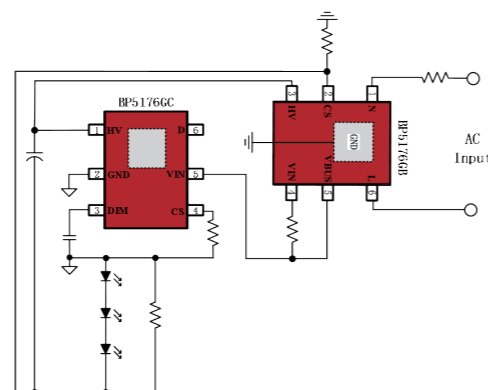
BP5176GB+BP5176GC

INPUT: 220Vac - 240Vac	OUTPUT: 27mA 260V
----------------------------------	-----------------------------

Application: • Bulb, Downlight, Spot Light, Filament Lamp, etc.

Main Features

- Good dimming compatibility
- Meet the latest EU ErP requirements
- DF>0.7, Flicker free
- Integrated line voltage compensation function
- Simple peripheral circuit & small chip size
- Built-in bridge



TRAIC Dimming Boost Closed-loop

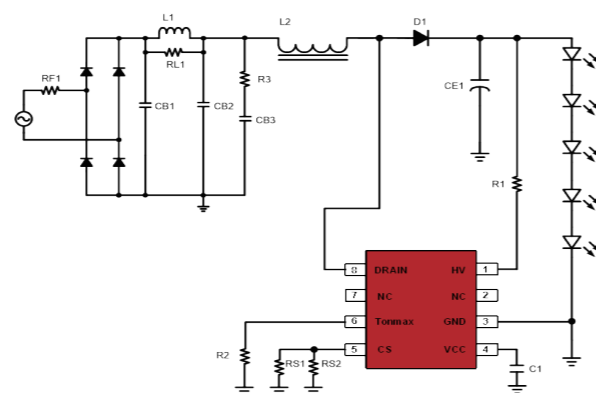
BP3296B

INPUT: 200Vac - 240Vac	OUTPUT: 400V 20mA
----------------------------------	-----------------------------

Application: • Bulb, Filament Lamp, etc.

Main Features

- High voltage startup
- Source Driver IC
- High voltage differential sampling, integrated 480V OVP
- TRAIC dimming
- Optimal dimming compatibility with IC BP5176GB



PN	Package	Topological	Maximum Current	MOS	Isolated or Non-isolated	Application
BP2506B	SOP8	BUCK	<300mA	500V/9Ω	Non-isolated	CC/CV
BP2506D	SOP8	BUCK	<400mA	500V/4.7Ω	Non-isolated	CC/CV
BP2506F	SOP8	BUCK	<500mA	500V/3Ω	Non-isolated	CC/CV
BP2509	SOP8	BUCK	-	External	Non-isolated	CC/CV
BP2513DP	SOP8	BUCK	<350mA	500V/9Ω	Non-isolated	CC/CV
BP2516FP	SOP8	BUCK	<600mA	650V/4.7Ω	Non-isolated	CC/CV
BP2519	SOT23-5	BUCK	<2A	External	Non-isolated	CC/CV
BP3519	SOT23-5	FLYBACK	<50W	External	Isolated	CC/CV
BP3529	SOP8	FLYBACK	<150W	External	Isolated	CC/CV
BP3527E	DIP7	FLYBACK	<40W	650V/2.0Ω	Isolated	CC/CV

PN	Package	Power Tube	Maximum Current/ POWER	Resetting Time	Power Segment Adjustment	Application
S4422B	SOT23-5	3Ω / 40V	260mA/3~7W	Built-in 12S	A->B->(A+B)/2	Isolated/ Non-isolated Switch Reverse Phase CCT
S4525S	SOP8	0.6A 400V SCR	260mA/50W	Built-in 11S	A->B->(A+B)/2	2-In-1 Non-isolated Switch Reverse Phase CCT
S5542SP	SOP8	16Ω / 500V	120mA/3~7W	Built-in 12S	A->B->(A+B)/2	Isolated/ Non-isolated Switch Forward Phase CCT
S4523B	SOT23-5	/	No Limit	Built-in 12S	A->B->A+B	Linear CC Switch Reverse Phase CCT
S4523RB	SOT23-5	/	No Limit	Built-in 6S	A+B->A->B	Linear CC Switch Reverse Phase CCT
BP5823CH	HSOP7	/	3~9W	Built-in 6S	A->B->(A+B)/2	Isolated Switch with memory function Reverse Phase CCT
BP5828CJ	ESOP-8	/	3~9W			
S4120MB	SOT23-6	External MOS/SCR	No limit	2 Switches in 1 second	A->B->(A+B)/2	Non-isolated Switch with memory function Reverse Phase CCT
S4225MB	SOP8	1A 400V SCR	300mA	2 Switches in 1 second	A->B->(A+B)/2	Linear CC Switch with memory function Reverse Phase CCT
S4226MB	SOP8			7 Switches in 10 seconds	A->B->(A+B)/2	
S4512MB	SOP8	0.8A 400V SCR	260mA	7 Switches in 10 seconds	A->(A+B)/2->B	Switch with memory function Three-segment CCT
S4165M	SOT23-6	/	/	2 Switches in 1 second	100%->50%->12%	Isolated/ Non-isolated Forward Phase CCT Switch with memory function
S4723MB	SOP8	External MOS/ SCR	/	2 Switches in 1 second	A->B->C	
S4223MD	SOT23-6	/	/	2 Switches in 1 second	A->B->A+B	

PN	Package	MOS Resistance	Topological	Maximum Input Voltage	Maximum Output Voltage	Analog Dimming	PWM Dimming
BP1618	ESOP16	0.13Ω	BOOST+LINEAR	3V-24V	<30V	-	Y
BP1386	SOP8	External	BUCK	<80V	<60V	Y	Y
BP1389	TSSOP16	External	BUCK	<80V	<60V	Y	Y
BP1808A	ESOP-8	0.3Ω	BUCK-BOOST /BOOST/BUCK	3V-60V	<60V	Y	
BP1808	ESOP-8	0.3Ω	BUCK-BOOST /BOOST/BUCK	3V-60V	<60V	Y	
BP1371	SOT89-5	0.3Ω	BUCK	5V-40V	<40V	Y	
BP1360	SOT23-5	0.3Ω	BUCK	5V-40V	<40V	Y	
BP1362	SOP7	0.5Ω	BUCK	10V-80V	-	N	

PN	Package	winding	Built-in NPN Vce max	OVP	Anti-multi-light parallel flashing light	LOP	POWER Output @Vin:85V-265V (W)
S6613SA	SOP7	2	780V	Y	Y	Y(Internal)	8~12W
S6613D	DIP7	2	780V	Y	Y	Y(Internal)	12~18W
S6614D	DIP7	2	780V	Y	Y	Y(Internal)	18~24W

AC/DC HPF Isolated

PN	Package	MOS Resistance	MOSVolt.	Flyback/ Boost-Buck	Built-in	POWER Output @Vin:85V-265V (W)	POWER Output @Vin:176V-265V(W)
BP3336B	SOP8	4.8Ω	650V	Y	OTP/OVP	<10W	<16W
BP3336D	SOP8	2.15Ω	650V	Y	OTP/OVP	<13W	<18W
BP3337E	DIP7	1.1Ω	650V	Y	OTP/OVP	<24W	<40W
BP3339	SOP8	/	/	Y	OTP/OVP	-	-

Linear CC

PN	Package	Line compensation	Overheat Regulation	Withstand Voltage	Application	Single piece Power	Maximum Output Current
BP5228DL	ESOP8	Y	TREG: 140°C	500V/500V	Two-segment Linear	10W	
BP5356H	ESOP8	Y	RTH Settable	700V/700V/700V	Thress-segment Linear	10W	
BP5356HC	ESOP8	Y	TREG: 140°C	650V/650V/650V	Thress-segment Linear	10W	
BP5336H	ESOP8	Y	TREG: 140°C	700V/700V/700V	Thress-segment Linear	10W	
BP5358H	ESOP8	Y	RTH Settable	700V/700V/700V	Thress-segment Linear	10W	
BP5212AS	HSOP7	Y	TREG: 150°C	700V/700V	Double Voltage Linear CC	Single-seg-	10W
BP5218FC	ESOP8	Y	TREG: 140°C	700V/500V	ment Linear & EU ERP		15W
BP5213E	HSOP8	Y	TREG: 150°C	700V/500V	External Constant power compensation		9W
BP5218E	ESOP8	Y	TREG: 150°C	700V/500V	Single-segment Linear & EU ERP		9W
BP5218EC	ESOP6	Y	TREG: 150°C	500V/500V	External Constant power compensation		9W
BP5151DH	ESOP8	Y	TREG: 130°C	650V	Single-segment Linear		10W
BP5151DK	ESOP8	Y	TREG: 150°C	650V	External Constant power compensation		10W
BP5131JA	SOT89-3	N	TREG: 150°C	500V	Single-segment Linear CC		7W
BP5116DJ	ESOP8	N	TREG: 150°C	500V	Single-segment Linear CC		10W
BP5116DJC	ESOP8	N	TREG: 150°C	500V	Single-segment Linear CC		10W
BP5131HC	ESOP8	N	TREG: 150°C	500V	Single-segment Linear CC		10W
BP5118GH	ESOP8	Y	130°C/150°C	500V	Efficient HPF Single-segment Linear CC		15W
BP5133HC	HSOP-7	N	TREG: 150°C	500V	Built-in Bridge Single-segment Linear CC		10W
BP5138XJ	ESSOP6	N	TREG: 150°C	500V	Built-in Bridge Single-segment Linear CC		7W-10W

Linear Flicker Free

PN	Package	LOP	MOS	Flicker Free	Iout
BP5659BL	SOT33-3	Dynamic Variation	40V	Dimming Flicker Free	90mA
BP5659BF	SOT33-3	11V	40V	Dimming Flicker Free	90mA
BP5659B	SOT33-3	22V	40V	Dimming Flicker Free	90mA
BP5628C	SOP8	10V	40V	Dimming Flicker Free	200mA
BP5656D	SOP8	External & Adjustable	100V	PWM/ Analog Dimming & Flicker Free	<350mA
BP5656E	SOP8	External & Adjustable	200V	PWM/ Analog Dimming & Flicker Free	<300mA
BP5659A	SOT23-6	External & Adjustable	External	PWM/ Analog Dimming & Flicker Free	<1500mA

AC/DC LPF Isolated (MOS Driver)

PN	Package	MOS Resistance	MOSVolt.	OVP	Anti-multi-light parallel flashing light	LOP	POWER Output @Vin:85V-265V (W)	POWER Output @Vin:176V-265V(W)
BP3166XS	SOP7	25Ω-14Ω	650V	Y	Y	Y(Internal)	3W-5W	5W-7W
BP3166XH	SOP7	9Ω-3Ω	650V-600V	Y	Y	Y(Internal)	7W-12W	9W-15W
BP3167XH	DIP7	4.7Ω-2Ω	650V-600V	Y	Y	Y(Internal)	12W-24W	15W-24W
BP3169AJ	SOP7	-	-	Y	Y	Y(Internal)	50W	75W
BP3189A	SOP8	-	-	Y	Y	Y(External)	50W	100W
BP3336DB	SOP8	2.4Ω	650V	Y	Y	Y(External)	-	30W
BP3182EB	BPSOP10	1.8Ω	650V	Y	Y	Y(External)	-	40W
BP3187EB	DIP7	1.8Ω	650V	Y	Y	Y(External)	-	50W
BP3337DB	DIP7	2Ω	650V	Y	Y	Y(External)	-	40W
BP3337EB	DIP7	1.8Ω	650V	Y	Y	Y(External)	-	50W
BP3189B	SOP8	External	External	Y	Y	Y(External)	-	100W

Boost CC/CV

PN	Package	Topological	POWER Output @176-265Vac	MOS	Application
BP2636B	SOP8	BOOST	<20W	500V/7Ω	CV
BP2636CL	SOP8	BOOST	<30W	500V/4.8Ω	CV
BP2636C	SOP8	BOOST	<40W	500V/3Ω	CV
BP2636D	SOP8	BOOST	<55W	500V/2.1Ω	CV
BP2639A	SOP8	BOOST	<100W	External	CV
BP2628	SOP8	BOOST	<250W	External	CV
BP2628A	SOP8	BOOST	<350W	External	CV
BP2606CA	SOP8	BOOST	<40W	500V/3Ω	CV
BP2606CD	SOP8	BOOST	<40W	600V/3Ω	CV
BP2608A	SOP8	BOOST	<120W	External	CV
BP2616C	SOP8	BOOST	<40W	500V/3Ω	CC
BP2616E	SOP8	BOOST	<50W	600V/2Ω	CC
BP2618	SOP8	BOOST	<100W	External	CC
BP2608	SOP8	BOOST	<100W	External	CC/CV

Auxiliary Power

PN	Package	PF	Topological	Maximum Current	MOS	Application
BP8521C	SOP8	0.5	BUCK	<60mA Constant	550V/30Ω	3.3V CV NO-Vcc Ultra-low Standby Power Consumption
BP8522D	SOP7	0.5	BUCK/buck-boost	<150mA Constant	550V/30Ω	5V CV NO-Vcc Ultra-low Standby Power Consumption
BP8501CH	SOP8	0.5	BUCK	<60mA Constant	650V/30Ω	3.3V/5V CV Ultra-low Standby Power Consumption
BP2525AHL	SOT33-5	0.5	BUCK	<150mA Constant	650V/35Ω	3.3V/5V CV Ultra-low Standby Power Consumption
BP2525B	SOT33-5	0.5	BUCK	<200mA Constant	500V/17Ω	3.3V/5V CV Ultra-low Standby Power Consumption
BP2525CH	SOT33-5	0.5	BUCK	<280mA Constant	650V/16Ω	3.3V/5V CV Ultra-low Standby Power Consumption
BP2525D	SOT33-5	0.5	BUCK	<300mA Constant	500V/9Ω	3.3V/5V CV Ultra-low Standby Power Consumption
BP2525F	SOT33-5	0.5	BUCK	<500mA Constant	500V/5.6Ω	3.3V/5V CV Ultra-low Standby Power Consumption
BP2522B	SOT33-5	0.5	BUCK	<150mA Constant	500V/17Ω	12V/24V CV Ultra-low Standby Power Consumption
BP2522D	SOT33-5	0.5	BUCK	<240mA Constant	500V/9Ω	12V/24V CV Ultra-low Standby Power Consumption
BP2522F	SOT33-5	0.5	BUCK	<320mA Constant	500V/5.6Ω	12V/24V CV Ultra-low Standby Power Consumption
BP2523B	SOT33-5	0.5	BUCK	<150mA Constant	500V/17Ω	15V/18V CV Ultra-low Standby Power Consumption
BP2523CH	SOT33-5	0.5	BUCK	<220mA Constant	650V/16Ω	15V/18V CV Ultra-low Standby Power Consumption
BP8519C	SOT23-5	0.5	BUCK	<50mA	700V/40Ω	Low Standby Power Consumption
BP8516F	SOP8	0.5	BUCK	<300mA	700V/8.5Ω	CV Low Standby Power Consumption

AC/DC LPF Non-isolated

PN	Package	MOS Resistance	Withstand Voltage	OVP	LOP	Iout @ Vout=72V (mA) (Vin=176V-265V)	Max Output (W) (Vin=176V-265V)
BP2863X	ASOP-7	22Ω-12Ω	500V	140°C	-	120-190	18
BP2863XJ	ASOP-7	22Ω-12Ω	500V	140°C	Y	120-190	18
BP2863XK	ASOP-7	22Ω-12Ω	500V	120°C	-	120-190	18
BP2861XJ	SOP-7T	22Ω-4.8Ω	500V	140°C	Y	120-380	30
BP2861XK	SOP-7T	22Ω-4.8Ω	500V	120°C	-	120-380	30
BP2821XK	ESSOP6	16Ω-8.5Ω	500V	120°C	-	180-380	30
BP2866XJ	SOP-7D	12Ω-2.0Ω	500V	140°C	Y	220-550	40
BP2868XS	HSOP-7	4.8Ω-3Ω	500V	140°C	Y	580	43
BP2826FK	ESSOP6	3Ω	500V	120°C	-	580	43
BP2867XJ	DIP-7D	5.8Ω-2.0Ω	500V	140°C	Y	380-550	50

Linear PWM Dimming

PN	Package	Line compensation	Single piece Power	Maximum Output Current	Channel	MOS BV	Dimming Connector	DIM Mode	Application
BP5712E	ESOP8	Y	10W	80mA	1	500V	PWM	Analog	ErP High-voltage Linear Single-channel Dimming CCT Driver
BP5711EJ	ESOP8	Y	10W	120mA	1	500V	PWM/ Analog	Chopper	High-voltage Linear Single-channel Dimming CC Driver(Chopper Output)
BP5711FK	ESOP8	Y	10W	180mA	1	500V	PWM	Analog	High-voltage Linear Single-channel Dimming CC Driver(Analog Output)
BP5711FJ	ESOP8	Y	10W	180mA	1	500V	PWM	Analog	High-voltage Linear Single-channel Dimming CC Driver(Analog Output)
BP5772D	ESOP8	Y	10W	80mA	2	500V/500V	PWM	Analog	ErP High-voltage Linear 2-channel Dimming CCT CC Driver
BP5776EK	EMSOP8	Y	5W	100mA	2	500V/500V	PWM	Analog	PWM-Analog 2-channel High-voltage Linear Dimming CCT CC Driver
BP5778EK	ESOP8	Y	10W	100mA	2	500V/500V	PWM	Analog	PWM-Analog 2-channel High-voltage Linear Dimming CCT CC Driver
BP5778EJ	ESOP8	N	10W	120mA	2	500V/500V	PWM/ Analog	Chopper	PWM&Analog DIM 2-channel Linear Dimming CCT CC Driver
BP5778F	ESOP8	N	10W	180mA	2	500V/500V	PWM	Analog	PWM-Analog 2-channel High-voltage Linear Dimming CCT CC Driver
BP1633CJ	ESOP8	N	10W	100mA	3	40V / 6Ω	PWM	Chopper	3-route PWM Dimming CCT
BP1638CJ	ESOP8	N	10W	200mA	3	40V / 6Ω	PWM	Chopper	3-route PWM Dimming CCT
BP1658CJ	ESOP8	N	10W	CW:-75mA RGB:-150mA	5	CW:500V RGB:40V	I2C	Analog	I2C 5-route Linear Dimming CCT
BP5758D	ESOP8	N	10W	90mA	5	500V	I2C	Analog	I2C 5-route Linear Dimming CCT
BP5768D	ESOP10	Y	10W	90mA	5	500V	I2C	Analog	ErP I2C 5-route Linear Dimming CCT

Non-isolated PWM Dimming

PN	Package	PF	Topological	POWER	MOS	LOP	Dimming
BP2881B	SOP8	0.5	Buck	<19W	500V/8.5Ω	Y	PWM
BP2881D	SOP8	0.5	Buck	<24W	500V/4.8Ω	Y	PWM
BP2886B	SOP8	0.5	Buck	<19W	500V/8.5Ω	Y	PWM
BP2886D	SOP8	0.5	BUCK	<24W	500V/4.8Ω	Y	PWM
BP2886F	SOP8	0.5	BUCK	<35W	500V/3Ω	Y	PWM
BP2887F	DIP7	0.5	BUCK	<40W	500V/3Ω	Y	PWM
BP2887G	DIP7	0.5	BUCK	<50W	500V/2Ω	Y	PWM
BP2878K	SOP8	0.5	Buck	<100W	External	Y	PWM
BP2956X	SOP8	0.5	Buck	<35W	500V/4.8Ω/3Ω	Y	PWM
BP2958XE	HSOP7	0.5	Buck	<40W	500V/8.5Ω/4.8Ω/3Ω	Y	PWM
BP2958X	DIP7	0.5	Buck	<50W	500V/4.8Ω/3Ω/2Ω	Y	PWM
BP2316CK	SOP8	0.7	Buck	<10W	500V/5.2Ω	Y	PWM/ Analog
BP2306CK	SOP8	0.9	Buck	<10W	550V/5.2Ω	Y	PWM/ Analog
BP2306HK	SOP8	0.9	Buck	<18W	600V/2Ω	Y	PWM/ Analog
BP2308	SOP8	0.9	BUCK	<100W	External	Y	PWM/ Analog

AC/DC HPF Non-isolated

PN	Package	NO VCC NO COMP	MOS Resistance	MOS Volt.	LOP	Built-in CS Resistance	Built-in FreeWheel Diode	Built-in Bridge	Iout@Vout=72V (mA) (Vin=176V-265V)
BP2364DN	ASOP-8	Y	6.8Ω	600V	External	Y	-	-	<220
BP2366DN	SOP7	Y	4.5Ω	600V	External	Y	-	-	<220
BP2366EN	SOP7	Y	2.7Ω	600V	External	Y	-	-	<240
BP2367DN	DIP7	Y	4.5Ω	600V	External	Y	-	-	<230
BP2367EN	DIP7	Y	2.7Ω	600V	External	Y	-	-	<260
BP2329AJ	SOT23-6	/	/	/	External	-	-	-	-
BP2362BH	SOP7	Y	9Ω	500V	External	Y	-	-	<150
BP2362CH	SOP7	Y	5Ω	500V	External	Y	-	-	<180
BP2362EH	SOP7	Y	3Ω	500V	External	Y	-	-	<240
BP2362GH	SOP7	Y	1.9Ω	500V	External	Y	-	-	<270
BP2362JH	SOP7	Y	1.9Ω	600V	External	Y	-	-	<270
BP2373B	ASOP-7	Y	8Ω	500V	-	Y	-	-	<150
BP2373CR	ASOP-7	Y	5.8Ω	500V	-	Y	-	-	<180

0-10V Dimming

PN	Package	PF	Topological	POWER @85-265Vac	MOS	Application
BP3368F	SOP16	>0.9	BOOST + FLYBACK	<150W	External	Analog/ PWM
BP3368B	SOP16	>0.9	BOOST + BUCK	<250W	External	Analog/ PWM
BP3378A	SOP8	>0.9	FLYBACK/ BUCK-BOOST	<80W	External	Analog/ PWM
BP3378AD	SOP8	>0.9	FLYBACK/ BUCK-BOOST	<80W	External	Analog/ PWM
BP3176BF	SOP8	0.5	FLYBACK/ BUCK-BOOST	<15W	650V/4.7Ω	Analog/ PWM
BP3177DF	DIP7	0.5	FLYBACK/ BUCK-BOOST	<20W	650V/2.4Ω	Analog/ PWM
BP3176EF	SOP8	0.5	FLYBACK/ BUCK-BOOST	<25W	650V/2.2Ω	Analog/ PWM
BP3179F	SOP8	0.5	FLYBACK/ BUCK-BOOST	<100W	External	Analog/ PWM
BP3179D	SOP8	0.5	FLYBACK/ BUCK-BOOST	<100W	External	Analog/ PWM
BP2879D	SOP8	0.5	BUCK	<250W	External	Analog/ PWM
BP5011	SOP8	-	-	-	-	0-10V/RSET/ PWM
BP5001	SOP8	-	-	-	-	1-10V/RSET
BP5001D	SOP8	-	-	-	-	0-10V/RSET

Linear TRAIC Dimming

PN	Package	Line compensation	Overheat Regulation	MOS BV	Application
BP5178GC	ESOP8	Y	External Configurable	350V	High-voltage Efficient Single-segment Linear TRAIC Dimming
BP5178GCL	ESOP8	Y	External Configurable	350V	High-voltage Efficient Single-segment Linear TRAIC Dimming
BP5188GL	ESOP8	Y	External Configurable	350V	High-voltage Efficient Single-segment Linear TRAIC Dimming (Built-in Diode)
BP5178BC	ESOP8	Y	External Configurable	350V	High-voltage Efficient Single-segment Linear TRAIC Dimming (Flicker Free)
BP5178FH	ESOP8	Y	External Configurable	500V	High-voltage Efficient Single-segment Linear TRAIC Dimming
BP5132HC	ESOP8	N	TREG: 150°C	500V	2-channel & Single-segment Linear

PWM Colour Temperature Adjusting

PN	Package	MOS	Saturation Current	Application	Power Segment Adjustment
BP5926A	SOP8	100V / 0.6Ω	<700mA	PWM CCT	0-100%
BP5926D	SOP8	300V / 5Ω	<300	PWM CCT	0-100%
BP5936D	SOP8	250V / 6Ω	<200mA	PWM/ Analog CCT	0-100%
BP5929	SOP8	External	-	PWM CCT	0-100%

Switch TRAIC Dimming

PN	Package	Power Factor	MOS Resistance	MOS Volt.	Topological	OVP	POWER Output Vin=120Vac	POWER Output Vin=220Vac
BP3276C	SOP8	0.9	3Ω	500V	Boost	Y	<15W	<22W
BP3278	SOP8	0.9	/	/	Boost	Y	<50W	<80W
BP3296B	SOP8	0.9	10Ω	500V	High efficiency Boost	Y	<8W	<8W
BP3286H	SOP8	0.9	4.7Ω	650V	Buckboost/Flyback	Y	<10W	<12W
BP3287H	SOP8	0.9	4.7Ω	650V	Buckboost/Flyback	Y	<10W	<12W
BP3296H	SOP8	0.9	8Ω	650V	High efficiency Buckboost	Y	<8W	<8W
BP3286C	SOP8	0.9	3Ω	500V	Buckboost/Flyback	Y	<12W	<15W
BP3286J	SOP8	0.9	2.2Ω	650V	Buckboost/Flyback	Y	<18W	<24W
BP3288	SOP8	0.9	/	/	Buckboost/Flyback	Y	<30W	<35W

Single FirwWire

PN	Package	Withstand Voltage	Topological	ZERO-CROSS DETECT	Electricity Taking (3W LPF)	Maximum Load with Lamp	Standby Power Loss	Application
BP2535C	SOT33-5A	700V	FLYBACK	-	-	-	<1.5mW	AC-DC Single Firewire Switch, Supply power when lights off
BP8005	SOT33-5B	-	-	-	12V3mA	2kW	-	Single Firewire Switch, Single MOSFET, Supply power when lights on
BP8009	SOP8	-	-	Y	12V3mA	2kW	-	Single Firewire Switch, Single MOSFET, Supply power when lights on
BP8006	SOP8	-	-	-	12V6mA	2kW	-	Single Firewire Switch, Dual MOSFET, Supply power when lights on